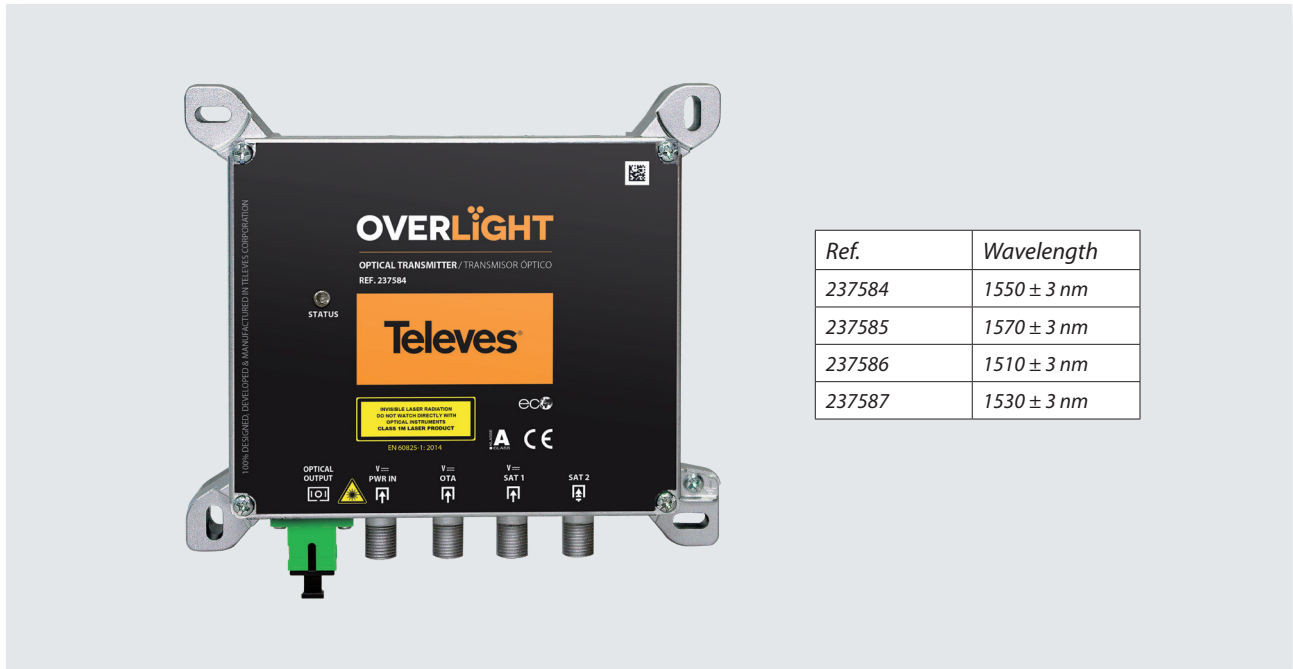


Optical WideBand satellite and terrestrial transmitter with OLC system

Refs. 237584, 237585, 237586, 237587.



<https://qr.televes.com/A88988>



EN IMPORTANT SAFETY INSTRUCTIONS

Safe installation

1. Read these instructions before handling or connecting the equipment. Keep these instructions. Heed all warnings. Follow all instructions.
2. Clean only with dry cloth.
3. Do not use this apparatus near water. Apparatus shall not be exposed to dripping or splashing and no objects filled with liquids, such as glasses, shall be placed on the apparatus.
4. Do not block any ventilation openings. Install in accordance with the manufacturer's instructions. Please allow air circulation around the equipment.
5. Do not place the equipment in a highly humid environment.
6. Do not install near any heat sources such as radiators, heat registers, stoves, or other apparatus (including amplifiers) that produce heat. Do not place naked flames, such as lighted candles on or near the product.
7. Do not place the equipment in a place where it can suffer vibrations or shocks.
8. Only use attachments/accessories specified by the manufacturer.

Safe operation of equipment connected to the mains supply

- Ambient temperature should not be higher than 45°C.
- Power requirements for adaptor are: 100-240V~ 50/60Hz.
- It is strongly recommended not to connect the equipment to the mains supply until all connections have been done.
- The socket outlet shall be installed near the equipment and shall be easily accessible.
- To disconnect the equipment from the mains supply pull the plug never the cable.
- Protect the power cord from being walked on or pinched particularly at plugs, convenience receptacles, and the

point where they exit from the apparatus.

- Unplug this apparatus during lightning storms or when unused for long periods of time.
- Refer all servicing to qualified service personnel. Servicing is required when the apparatus has been damaged in any way, such as power-supply cord or plug is damaged, liquid has been spilled or objects have fallen into the apparatus, the apparatus has been exposed to rain or moisture, does not operate normally, or has been dropped.

Warning

- Reduce the risk of fire or electric shock, do not expose this apparatus to rain or moisture.
- Do not take the cover off the equipment without disconnecting it from the mains supply.

Handling optical connections

- An SC/APC single mode fiber cable must be used.
- Keep the connector covers and cable caps in a safe place in case they are needed in the future.
- Carefully align the guides on both connectors when plugging a cable to the device, then push the connector all the way in.
- Take special care to avoid damaging the unprotected ends of the connectors, as small scratches, impurities and/or particles of dirt, oil, grease, sweat, etc. may significantly affect the quality of the signal.
- To clean the ends of the connectors, gently rub with a lint-free lens cleaning cloth, dampened using additive-free isopropyl alcohol. Make sure the alcohol evaporates fully before connecting.
- Always fit the covers on the connectors of devices that are not connected to cables to prevent the laser beam from damaging the eyes.
- Do not turn the transmitter on without a fiber optic cable connected to it.

Safety precautions

Warning

- This product emits an invisible laser beam. Avoid contact with laser radiation. The use of equipment such as binoculars or magnifying glasses may increase damage caused to the eyes.
- The laser beam should not be pointed at people and/or animals.



Accord to EN 60825-1: 2014

Maximum Output: +10dBm.

Emitted Wavelength (s): 1570nm (Ref. 237585); 1550nm (Ref. 237584); 1530nm (Ref. 237587); 1510nm (Ref. 237586).

Caution

- The use of the equipment in any other way than the specified in this manual may lead to exposure to harmful radiation.
- Do not use the equipment in any way that does not comply with the operating instructions or in any conditions that exceed the stipulated atmospheric specifications.
- The user cannot service this equipment. For technical assistance, contact our technical assistance department.

Symbology



To identify electrical equipment designed primarily for indoor use.

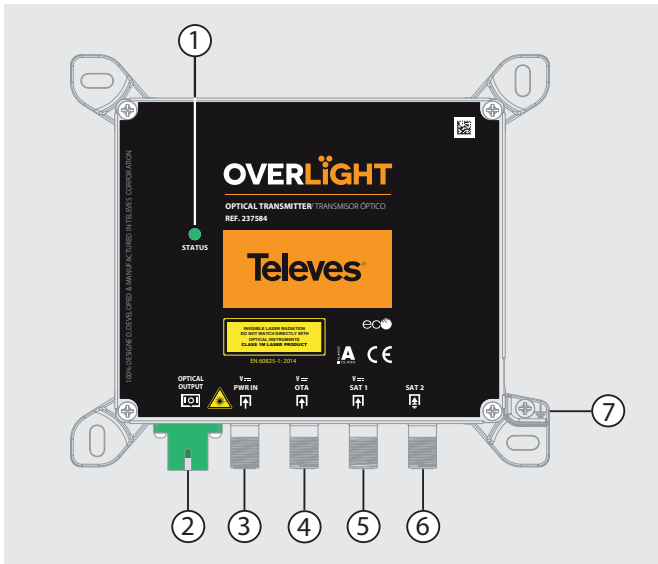


This symbol identify the earthing.



This symbol indicates that the equipment complies with the safety requirements for class II equipments.

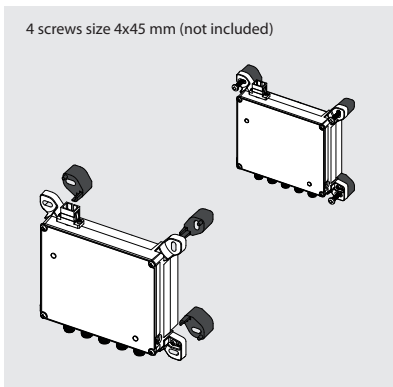
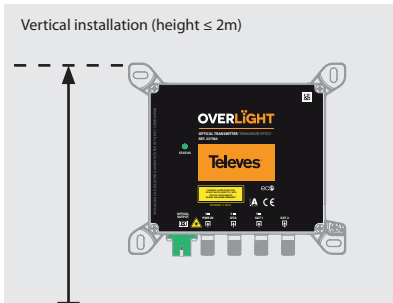
Connections and controls



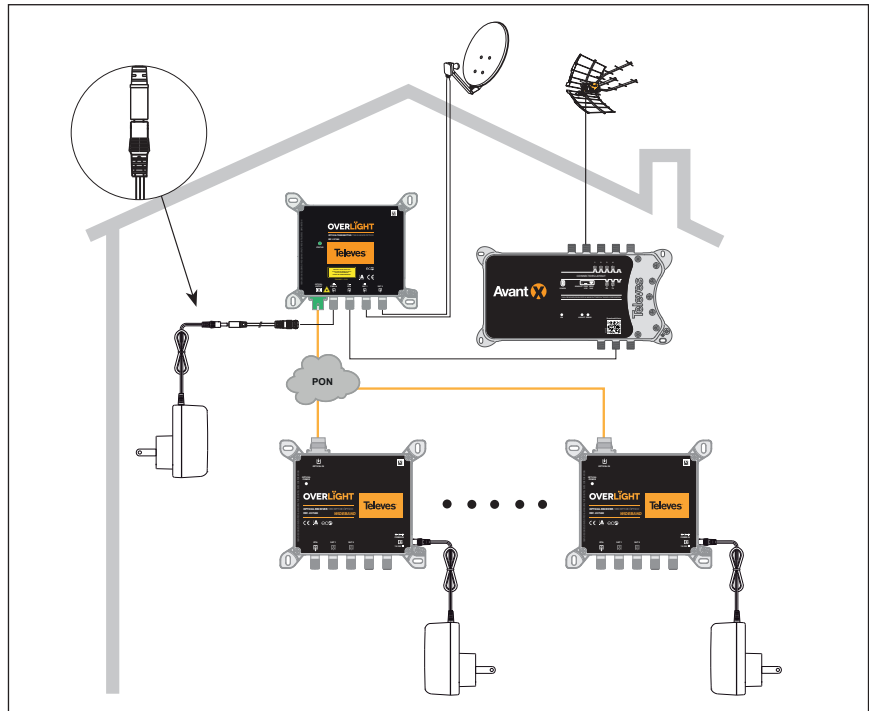
①	LED	Status LED
②		Optical output
③		Power input
④		OTA input + 12-18V, 500mA out => Antenna
⑤		SAT 1 input + 12-18V, 500mA out => LNB
⑥		SAT 2 input
⑦		Earthing

	Status	Info.
LED		Proper functioning. Laser ON
		Malfunction in laser
		Laser transmitting with power other than 9dBm+/-1dBm
		Laser transmitting with power other than 9dBm+/-1dBm
	-	No external powering or internal powering failed

Installation



Typical application



NOTE: This equipment has been tested and found to comply with the limits for a Class B digital device, pursuant to part 15 of the FCC Rules. These limits are designed to provide reasonable protection against harmful interference in a residential installation.

This equipment generates, uses and can radiate radio frequency energy and, if not installed and used in accordance with the instructions, may cause harmful interference to radio communications. However, there is no guarantee that interference will not occur in a particular installation. If this equipment does cause harmful interference to radio or television reception, which can be determined by turning the equipment off and on, the user is encouraged to try to correct the interference by one or more of the following measures:

- Reorient or relocate the receiving antenna.
- Increase the separation between the equipment and receiver.
- Connect the equipment into an outlet on a circuit different from that to which the receiver is connected.
- Consult the dealer or an experienced radio/TV technician for help.

Acuerdo de licencia y declaración software de terceros ■ Licence agreement and Third-parties Software declaration ■ Acordo de licença e declaração de software de terceiros ■ Accord de licence et déclaration de logiciels tiers ■ Accordo di licenza e dichiarazione del software di terze parti ■ Umowa licencyjna i deklaracja oprogramowania stron trzecich ■ Lizenzvereinbarung und Softwareerklärung von Drittanbietern ■ Αδεια χρήσης και δήλωση λογισμικού τρίτου μέρους ■ Licensavtal och programvarudeklaration från tredje part ■ Лицензионное соглашение и декларация стороннего программного обеспечения ■ اتفاقية الترخيص و بيان برنامج الطرف الثالث

► <https://doc.televes.com>

DECLARACIÓN DE CONFORMIDAD ■ DECLARATION OF CONFORMITY ■ DECLARAÇÃO DE CONFORMIDADE ■ DECLARATION DE CONFORMITE ■ DICHIARAZIONE DI CONFORMITÀ ■ DEKLARACJA ZGODNOŚCI ■ KONFORMITÄTSERKLÄRUNG ■ ΠΙΣΤΟΠΟΙΗΤΙΚΟ ΣΥΜΜΟΡΦΩΣΗΣ ■ FÖRSÄKRAN OM ÖVERENSSTÄMMELSE ■ EU-VAATIMUSTENMUKAISUUSVAKUUTUS ■ ДЕКЛАРАЦИЯ СООТВЕТСТВИЯ ■ بيان المطابقة ► <https://doc.televes.com>

Manufacturer : Televes S.A.U. Rúa B. de Conxo, 17 - 15706 Santiago de Compostela, A Coruña. Spain www.televes.com

Responsible party: Televes USA LLC. 16596 E. 2nd Avenue Aurora, CO 80011 USA Telephone: +1 (720) 379 3748 televes.usa@televes.com

