



INNOVA BOSS antenna (LTE700, 2nd Digital Dividend) Indoor intelligent antenna with Plug & Play installation

Omnidirectional and intelligent antenna, specially designed for reception of DTT signals indoors. The intelligent mode can be activated using a conventional smartphone PSU or with the USB port of the TV, making easier the installation process (Plug & Play).

The BOSSTech system automatically controls the level of the received signal (either very high or very low) to always provide optimal output level. The new design using TForce technology makes this intelligent device even more versatile.

RED compliant

Ref.	130220
Logical ref.	INNOVATF2
EAN13	8424450199190

Other features

Colour	Black
---------------	-------

Physical data

Net weight	220.00 g
Gross weight	220.00 g

Packaging info

Box	1 pcs.
------------	--------

Highlights

- High dynamic range: It allows high-quality TV reception in a wide variety of critical situations, from areas where signals are very weak to installations with high reception levels
- DTT coverage area enhancement
- A more stable reception: supports signal variations or fading without any impact on the TV installation

Main features

- Plug & Play: Easy and fast installation
- Multiple power supply options:
 - Through the 5V USB port of the TV (USB-microUSB cable included)
 - With a conventional USB power supply unit
 - Simply using a receiver (through the RF output connector)
- Low power consumption in intelligent mode
- LTE-Ready: equipped with LTE filters to avoid mobile phone signals
- Discreet and elegant design
- Two operation modes:
 - In intelligent mode (with antenna feeding), BOSS provides automatic control to correct signal fluctuations and maintain optimal output signal level
 - In passive mode (without power supply), the signal goes through
- The electronics inside the antenna substantially reduces the interference caused by surrounding movements
- Thanks to be an omnidirectional antenna, it can be installed either in horizontal or in vertical position

Discover

TForce technology:

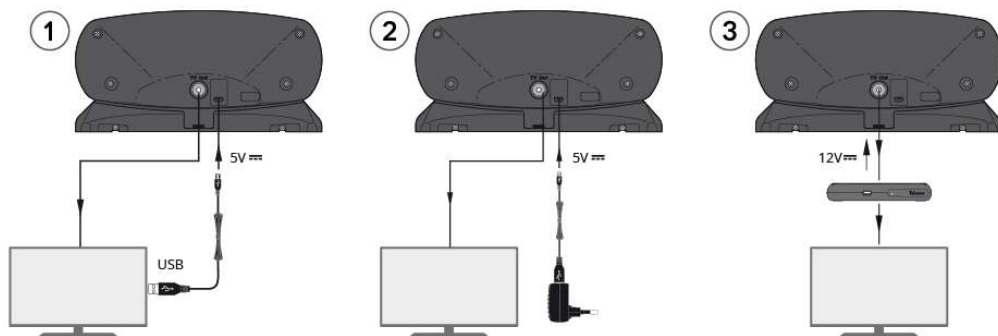
Televes transitions from the traditional silicon era into a new era of electronic component design, allowing integrated circuits to be precisely manufactured for microwave frequency bands. Utilizing "State of the Art" MMIC technology TForce is manufactured using semiconductor compounds such as gallium arsenide (GaAs), providing the resulting products with unparalleled features and performance

Televes has reinvented the antenna concept. Until now, an antenna was just the reception component of a TV installation in which gain and directivity were the main features. The introduction of a smart device like BOSS provides the antenna with the capacity to receive very weak signals without the risk of being affected by very strong signals, the result is a dynamic balance between weak and strong signals that provides optimum signal levels at all times: the "dynamic range" concept turns out to be the most outstanding among quality parameters.

The creation of TForce with BOSS technology using MMIC components is an extraordinary milestone in the optimization of the dynamic range. The technology that allowed the reception of lost signals from distant satellites is now allowing the enhancement of the coverage range in DTT installations.

Application example

- 1) Antenna powered through the USB port of the TV.
- 2) Antenna powered with USB power supply unit.
- 3) Antenna powered with a receiver (RF connector).



Technical specifications : Ref. 130220

Bands			UHF
Frequency range	MHz		470 ... 694
Channels			21 ... 48
Gain			20* ¹
Noise figure	dB		3
Powering mode		USB	Coaxial
Powering	Vdc	5	12
Max. current	mA	60	60
Protection index			20

*¹ Automatic regulation of the gain in intelligent mode (powered antenna). Does not apply in passive mode