



## DTKom line broadband multiband amplifier, remotely powered 1 input: VHF/UHF

High-power multiband amplifier with multiple controls on the front end, which design uses components that minimize the total noise figure. Equipped with 1 VHF/UHF input and 1 output (line). The multiband amplifier is equipped with remote power feeding, in other words, it can power or be powered with direct current through the coaxial cable.

---

<b>Ref.</b>	5338
<b>EAN13</b>	8424450128886

---

### Packaging info

---

<b>Box</b>	1 pcs.
<b>Bucket</b>	17 pcs.

---

### Physical data

---

<b>Net weight</b>	1,844.00 g
<b>Gross weight</b>	2,150.00 g
<b>Width</b>	280.00 mm
<b>Height</b>	141.00 mm
<b>Depth</b>	50.00 mm
<b>Main product weight</b>	1,844.00 g

---

### Highlights

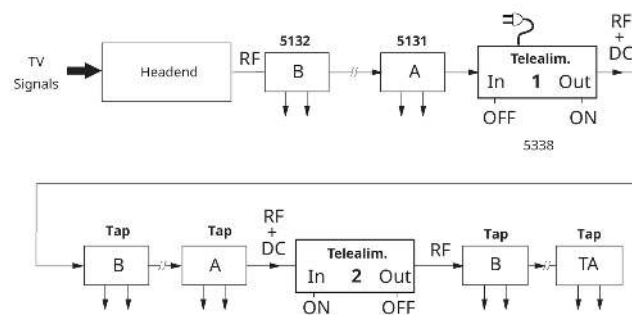
---

- Separate amplification minimizes intermodulation between bands and provides high output levels
- Designed using Push-Pull technology, which guarantees levels in the 123 dBμV range for terrestrial signals.
- Includes a high-performance low-power consumption switch-mode power supply
- High-screening Zamak chassis The design facilitates appropriate cooling

## Main features

- Pre-equalization and equalization stages
- Intuitive front cover, including adjustments and block diagram
- Can be wall-mounted using screws

## Application example



Ref. 5338 only can line-power another ref. 5338 (700mA/9V=== )