



"F" domestic amplifier equipped with equalization 3 outputs (2+TV): VHF/UHF + Passive return channel

Domestic amplifier with 3 outputs (2+TV) to extend the terrestrial television domestic network.

Amplifies and equalizes the terrestrial band while providing a passive return channel to allow communication between the subscriber modem and the operator.

The TV output provides a lower gain for direct connection to the television set (no outlet installation).

Ref.	5525
EAN13	8424450055250

Packaging info

Blister	1 pcs.
Box	8 pcs.
Pallet	640 pcs.

Physical data

Net weight	280.00 g
Gross weight	280.00 g
Width	146.00 mm
Height	54.00 mm
Depth	35.00 mm
Main product weight	220.00 g

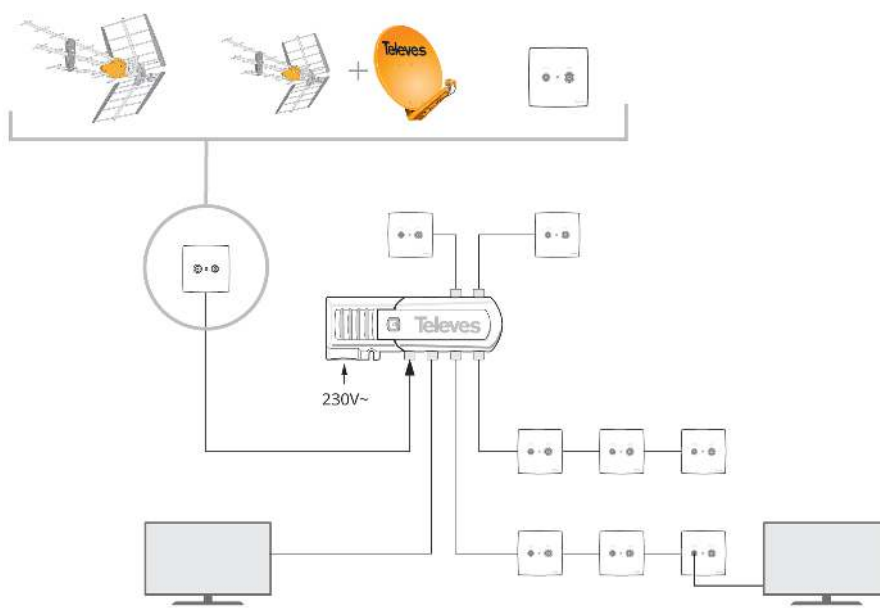
Highlights

- Low-impact visual design and limited size
- Integrated high-performance switched-mode power supply (40% less than a standard amplifier)
- Fully automated manufacturing subject to the most stringent quality controls

Main features

- Adjustable equalizer
- Manual gain control, protected by a folding cover
- Can be wall-mounted using screws
- "F" connectors

Application example



Connector type and number of outputs according to reference.

Technical specifications : Ref. 5525

Number of outputs			3
TV output			Yes
Frequency range	MHz	5 ... 65	88 ... 862
Gain	dB	-6	18
Gain @TV	dB	--	12
Gain adjustment range	dB	--	0 ... 18
Equalizator	dB	--	0 ... 18
Output level DIN45004B	dB μ V	--	> 106
Noise figure	dB	--	6
Input voltage	Vac		207 ... 253
Mains frequency			50 Hz / 60 Hz
Max. current	mA		23
Max. power consumption	W		2.3
Operating temperature	°C		-5 ... 45
Protection index (IP)			20