



Overlight dCSS Optical Receiver with 4 dCSS/Legacy+Terr. outputs For SKY applications, FM/DAB/UHF/SAT

Enhanced electronics and optical engineering to light up your TV

This complete optical Wideband satellite and terrestrial receiver captures the TV optical signal on a single fiber (1100...1650nm) and restores the original terrestrial and satellite TV signals, providing 4 dCSS/Legacy + Terr. outputs.

Thanks to its optimized electronics and low losses, it allows to reduce the number of amplifiers required and simplifies deployment in the design of collective installations, preserving the signal quality throughout the process. Furthermore, it is fully indicated for use in GPON installations, and it perfectly adapts to SKY applications.

This device is part of the Overlight system, that distributes satellite and terrestrial signals to multiple users through a single optical fiber.

This product is certified with the European IRS Certification Scheme mark, representing that it has passed the relevant test as set out in the latest EICS test specification, available from the DTG or CAI.

| | |
|---------------------|---------------|
| Ref. | 237530 |
| Logical ref. | OLR4-SKY |
| EAN13 | 8424450238264 |

Packaging info

| | |
|------------|--------|
| Box | 1 pcs. |
|------------|--------|

Physical data

| | |
|----------------------------|-----------|
| Net weight | 381.00 g |
| Gross weight | 381.00 g |
| Width | 138.00 mm |
| Height | 125.00 mm |
| Depth | 45.00 mm |
| Main product weight | 381.00 g |

Highlights

- Very compact in dimensions and weight (137x120x30mm)
- Compatible with GPON deployments
- Supports SKY modes
- Low losses
- Optimized electronic behavior
- 100% European design, quality, and manufacturing

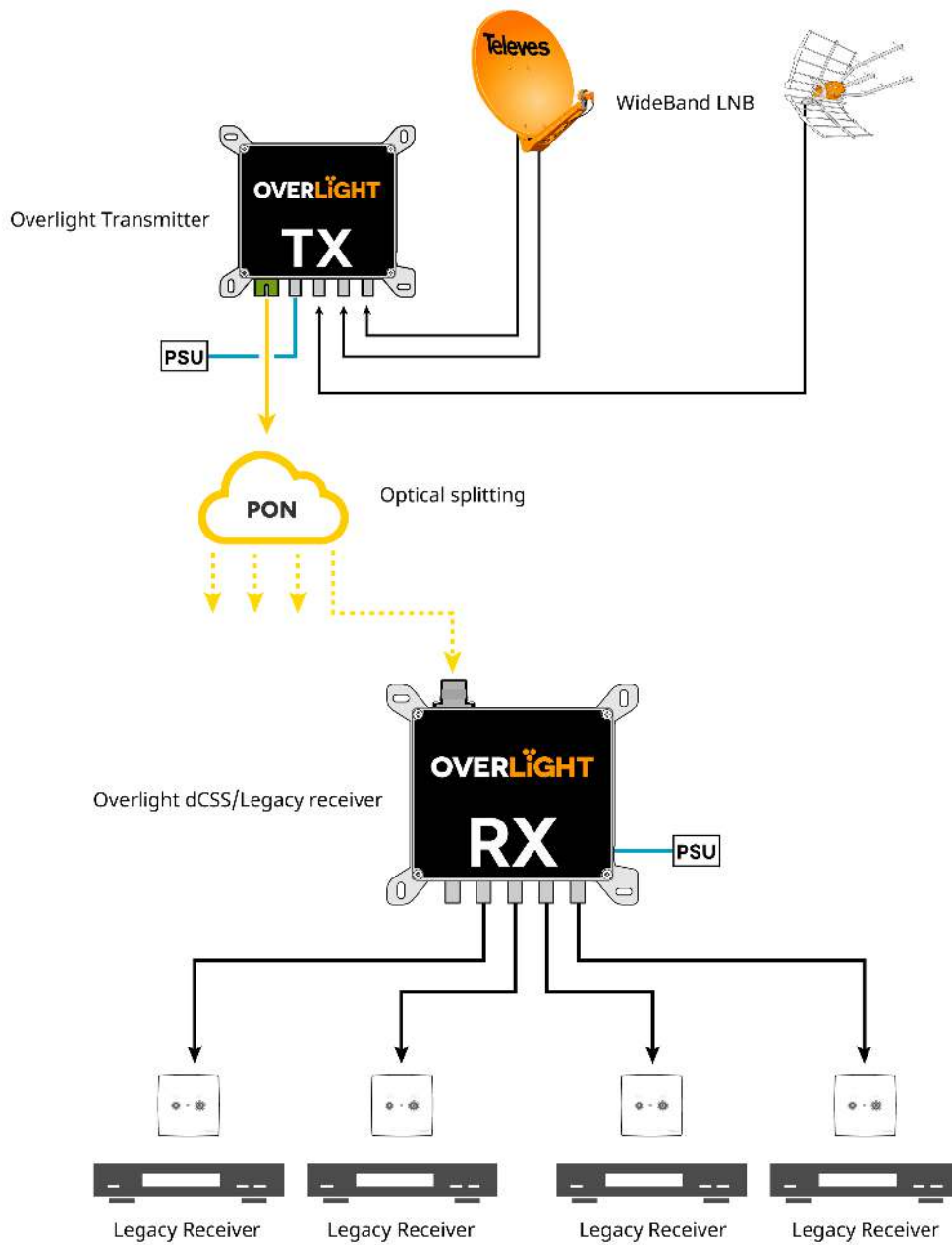
Main features

- SC/APC optical connector
- F-type RF connectors
- High-screening Zamak chassis

- Can be wall-mounted using screws
- Power supply unit included (Ref. 830209)
- LED indicator displaying signal status
- Compatible with IRS systems

Application example

FTTH-type installation, in which the distribution of terrestrial TV and TV from satellites with dCSS/Legacy services is carried out.



Technical specifications : Ref. 237530

| | | | | |
|--------------------------------|------|------------|-----------------------|--------------|
| TERR number of outputs | | | | 4 |
| dCSS number of outputs | | | | 4 |
| Legacy number of outputs | | | | 4 |
| Impedance | Ω | | | 75 |
| Output type | | TERR | dCSS | Legacy |
| Output level | dBμV | 69 ... 73 | 80 | 64 ... 71 |
| Output frequency range | MHz | 87 ... 694 | -- | 950 ... 2150 |
| dCSS standard | | | Sky (EN50494/EN50607) | |
| Wavelength | nm | | 1200 ... 1600 | |
| Optical device | | | InGaAs pin photodiode | |
| Optical input level | dBm | | -13 ... -6 | |
| RF connectors | | | "F" female | |
| Optical connectors | | | SC/APC | |
| Powering | Vdc | | 12 ... 18 | |
| Max current consumption (@12V) | mA | | 750 | |
| Max current (@18V) | mA | | 530 | |
| Operating temperature | °C | | -5 ... 45 | |
| PSU input voltage | Vac | | 100 ... 240 | |
| Max PSU current input | mA | | 600 | |
| PSU output voltage | Vdc | | 12 | |
| Max PSU output current | A | | 1.5 | |
| PSU protection index | | | 23 | |
| PSU operating temperature | °C | | -5 ... 45 | |

These measurements are conditioned to the use of an Overlight transmitter