



Overlight Quattro Optical Receiver FM/DAB/UHF/SAT

Enhanced electronics and optical engineering to light up your TV

This complete optical Wideband satellite and terrestrial receiver captures the TV optical signal on a single fiber (1100...1650nm) and restores the original terrestrial and satellite TV signals, providing 4 RF outputs with Quattro mode: one of the four TVSAT polarity and band combinations is provided on each connector.

Thanks to its optimized electronics and low losses, it allows to reduce the number of amplifiers required and simplifies deployment in the design of collective installations, preserving the signal quality throughout the process. Furthermore, it is fully indicated for use in GPON installations.

This product is certified with the European IRS Certification Scheme mark, representing that it has passed the relevant test as set out in the latest EICS test specification, available from the DTG or CAI.

Ref.	237540
Logical ref.	OLR44
EAN13	8424450246689

Packaging info

Box	1 pcs.
------------	--------

Physical data

Net weight	381.00 g
-------------------	----------

Gross weight	489.00 g
---------------------	----------

Width	137.00 mm
--------------	-----------

Height	120.00 mm
---------------	-----------

Depth	30.00 mm
--------------	----------

Main product weight	381.00 g
----------------------------	----------

Highlights

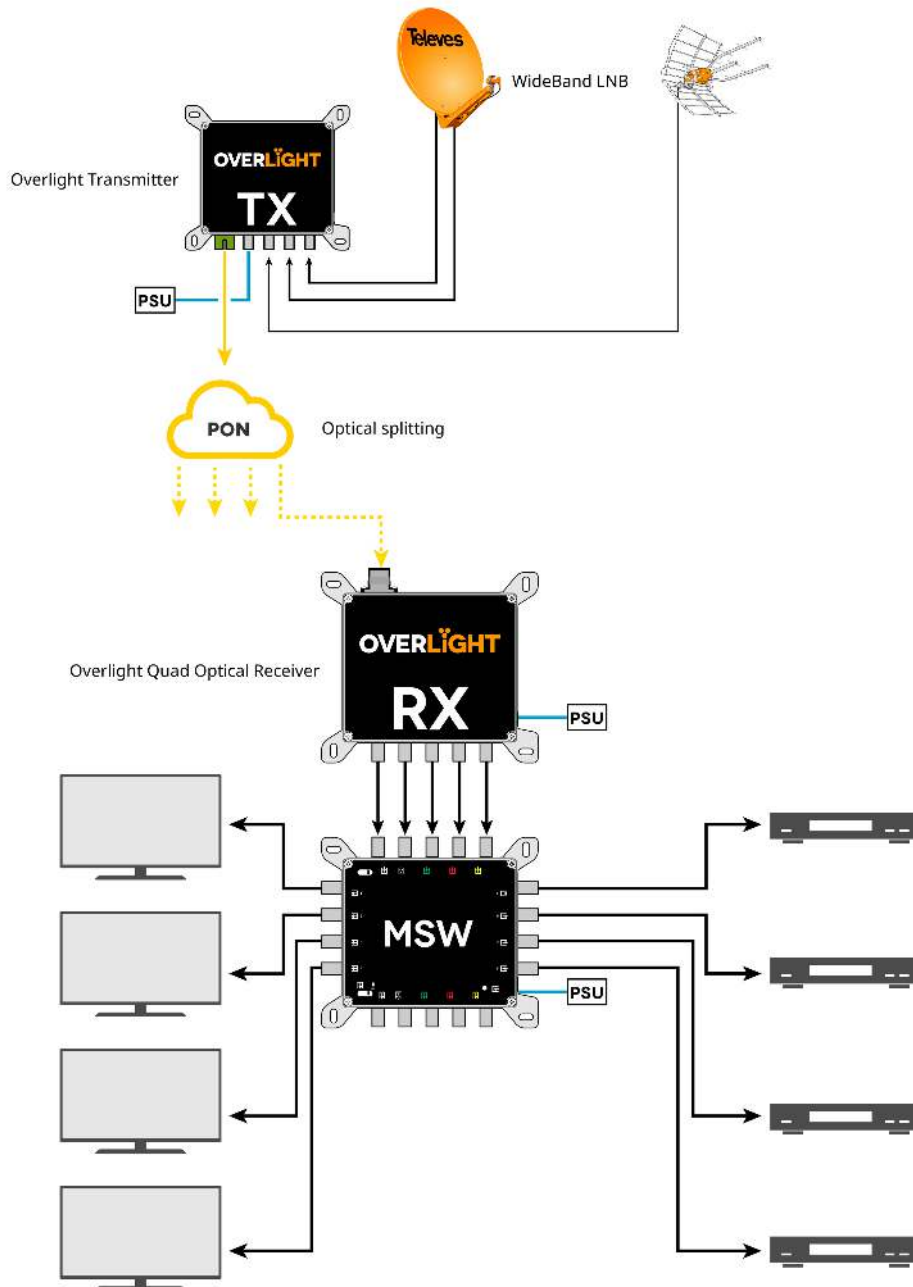
- Very compact in dimensions and weight (137x120x30mm)
- Compatible with GPON deployments
- Low losses
- Optimized electronic behavior
- 100% european design, quality, and manufacturing

Main features

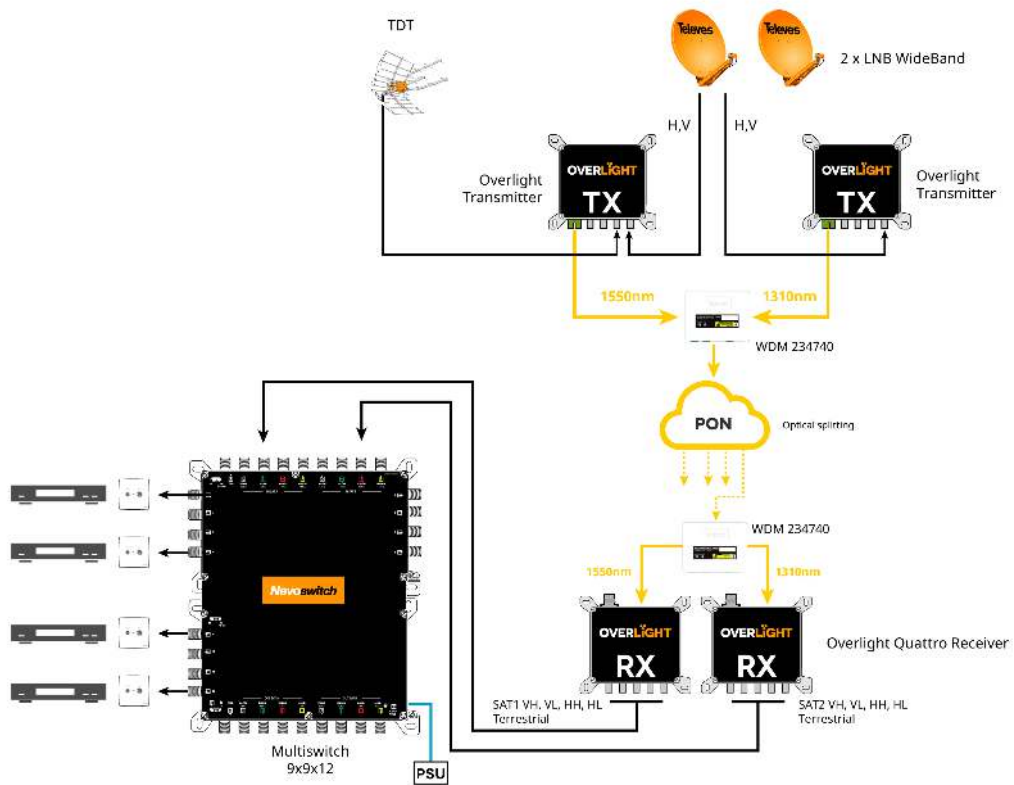
- SC/APC optical connector
- F-type RF connectors
- High-screening Zamak chassis
- Can be wall-mounted using screws
- LED indicator displaying signal status
- Compatible with conventional multiswitches in the NevoSwitch series, and with other IRS systems

Application example

FTTB-type collective installation, in which the distribution of satellite TV with all its services and full DTT is carried out.



Large FTTB-type collective installation, in which the distribution of DTT and TV from 2 satellites with all its services is carried out.



Technical specifications : Ref. 237540

TERR number of outputs			1
Legacy number of outputs			4
Impedance	Ω		75
Output type		TERR	Legacy
Output level	dB μ V	79 ... 83	64 ... 71
Output frequency range	MHz	87 ... 694	950 ... 2150
Wavelength	nm		1200 ... 1600
Optical device			InGaAs pin photodiode
Optical input level	dBm		-13 ... -6
RF connectors			"F" female
Optical connectors			SC/APC
Powering	Vdc		12 ... 18
Max current consumption (@12V)	mA		750
Max current (@18V)	mA		570
Operating temperature	$^{\circ}$ C		-5 ... 45

These measurements are conditioned to the use of an Overlight transmitter