



HR (High Rejection) LTE/5G filter 47...694 MHz (Ch.48), "IEC" connector

LTE/5G filters with high rejection against interference from channel 48 up. The built-in female "IEC" connector can be used to plug the filter straight into the equipment to be protected from interference.

Ref.	403210
EAN13	8424450209134

Packaging info

Bag	1 pcs.
Box	10 pcs.
Carton	50 pcs.

Physical data

Net weight	71.00 g
Gross weight	71.00 g

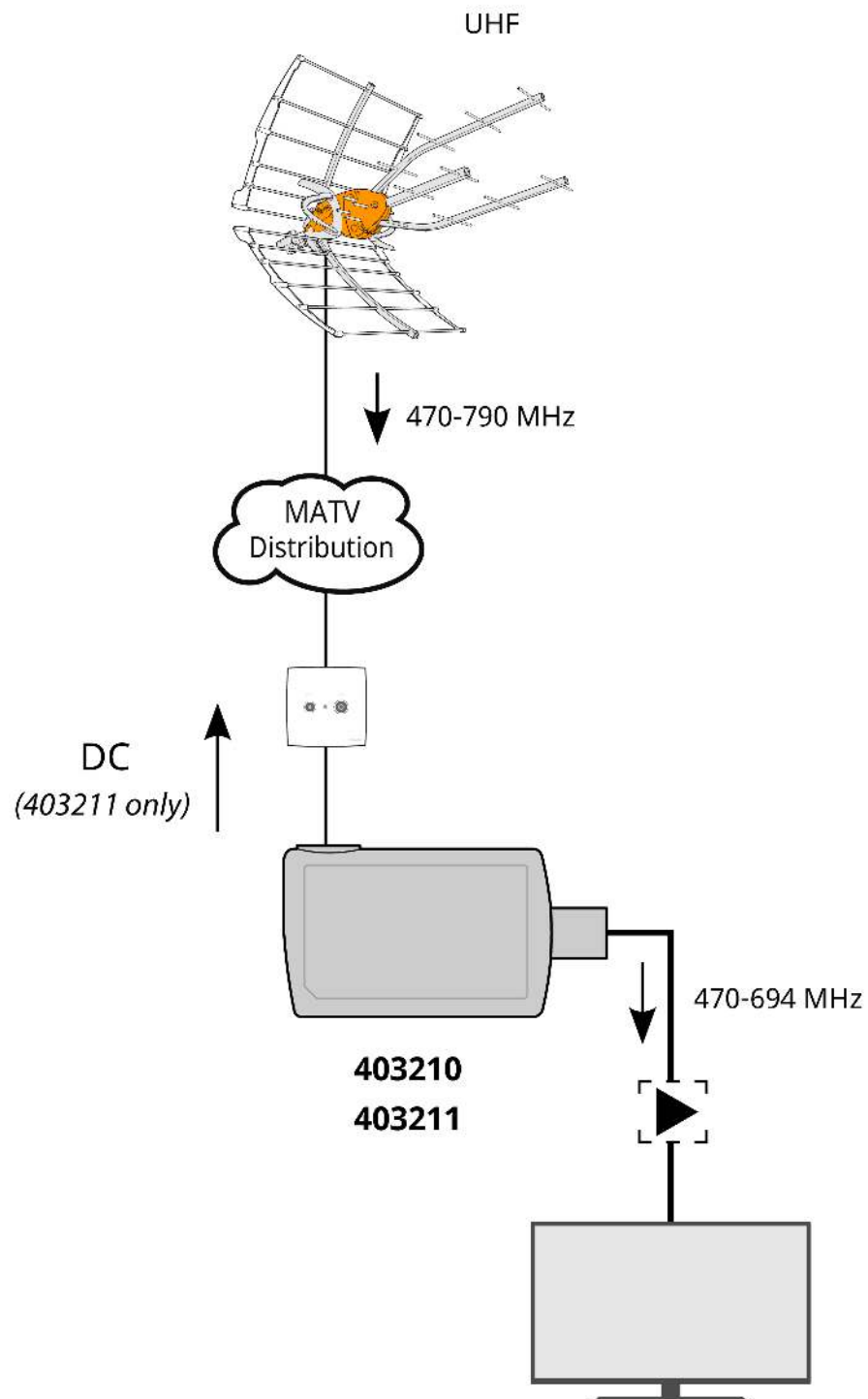
Highlights

- Plug-in format with integrated connector that adapts to any equipment
- Low insertion losses to avoid any impacts on the distributed signals

Main features

- Indoor installation
- Compact and light-weight size

Application example



Technical specifications : Ref. 403210

Rejected band	MHz	733 ... 862
Rejected band attenuation	dB	> 25
Pass band	MHz	47 ... 694
Pass band attenuation	dB	1
Number of inputs		1
Number of outputs		1
Connectors		"IEC" type
Operating temperature	°C	-5 ... 45
Protection index		20