



## HR (High Rejection) LTE/5G filter, with DC pass 47...694 MHz (Ch.48), "IEC" connector

LTE/5G filters with high rejection against interference from channel 48 up. Allows DC pass from output to input. The built-in female "IEC" connector can be used to plug the filter straight into the equipment to be protected from interference.

<b>Ref.</b>	403211
<b>EAN13</b>	8424450251010

### Packing

<b>Bag</b>	1 pcs.
<b>Box</b>	10 pcs.
<b>Carton</b>	50 pcs.

### Physical data

<b>Net weight</b>	77.00 g
<b>Gross weight</b>	84.00 g

### Highlights

- Plug-in format with integrated connector that adapts to any equipment
- Low insertion losses to avoid any impacts on the distributed signals

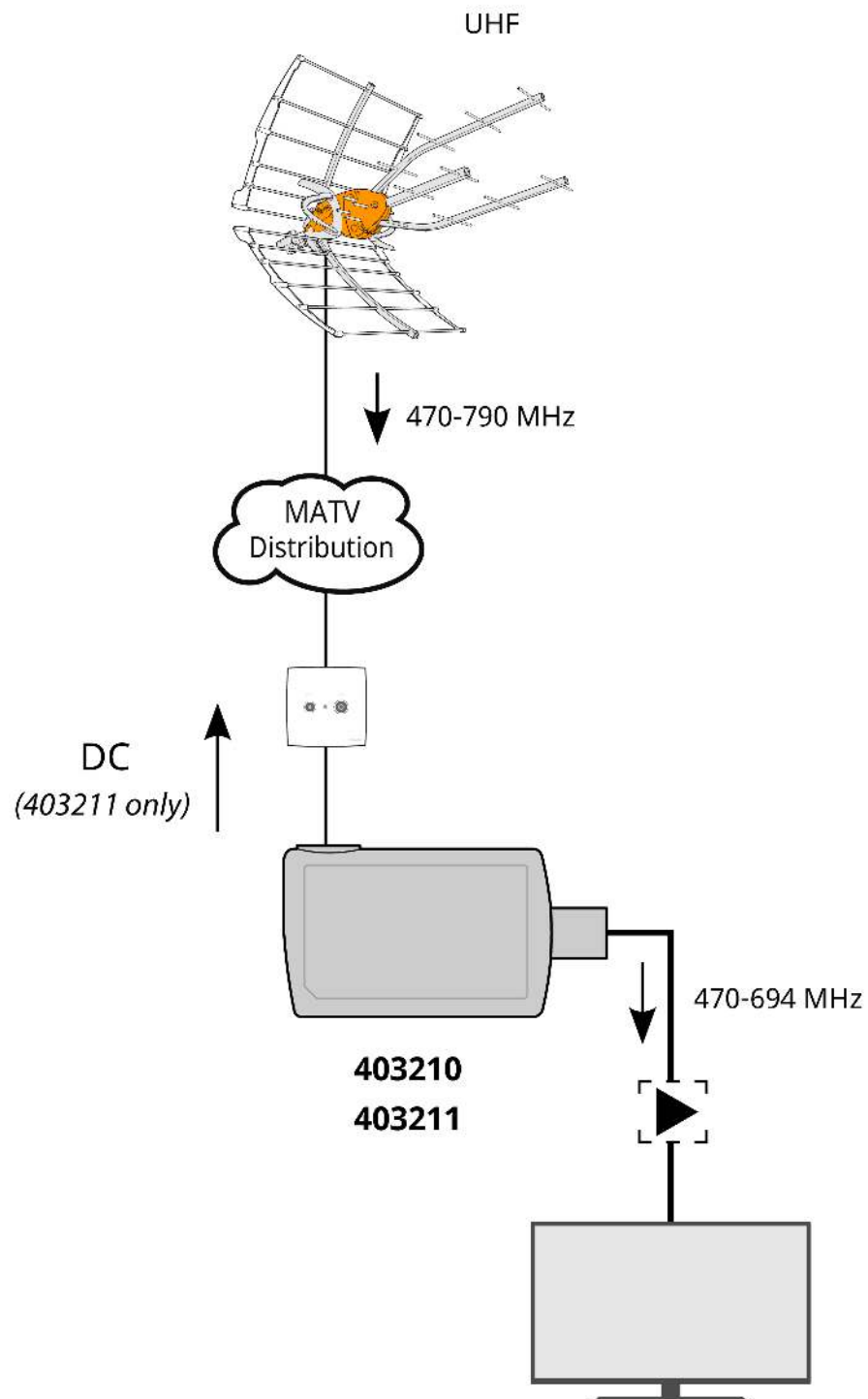
### Main features

- Indoor installation

- Compact and light-weight size

## Application example

---



## Technical specifications : Ref. 403211

Rejected band	MHz	733 ... 862
Rejected band attenuation	dB	> 25
Pass band	MHz	47 ... 694
Pass band attenuation	dB	1
Number of inputs		1
Number of outputs		1
Connectors		"IEC" type
DC pass		In.□Out
Max. current	mA	300
Operating temperature	°C	-5 ... 45
Protection index		20