



"F" domestic amplifier 3 outputs (2+TV): VHF/UHF/SAT + Passive return channel

Domestic amplifier with 3 outputs (2+TV) to extend the terrestrial television domestic network.

Amplifies the terrestrial and satellite bands, with passive return channel.

The TV output provides a lower gain for direct connection to the television set (no outlet installation).

An LNB can be controlled from any of the outputs.

Ref.	553001
Logical ref.	KROK21SRK65
EAN13	8424450252925

Packaging info

Blister	1 pcs.
Box	8 pcs.
Pallet	640 pcs.

Physical data

Net weight	278.00 g
Gross weight	300.00 g
Width	146.00 mm
Height	53.00 mm
Depth	35.00 mm
Main product weight	278.00 g

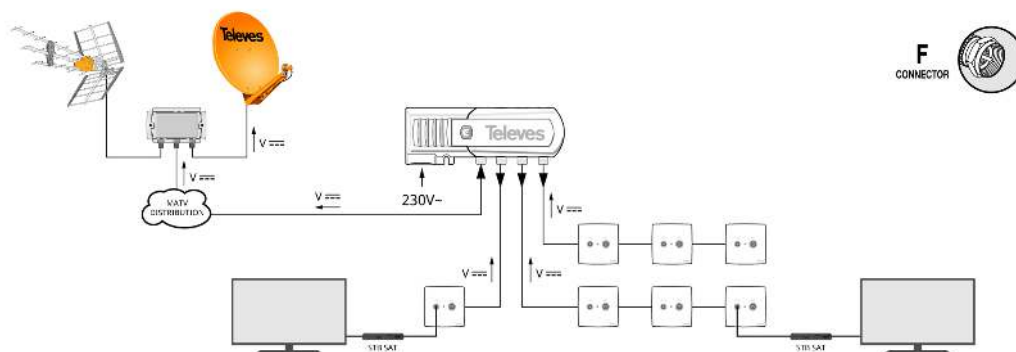
Highlights

- Low-impact visual design and limited size
- Integrated high-performance switched-mode power supply (40% less than a standard amplifier)
- Fully automated manufacturing subject to the most stringent quality controls

Main features

- Manual gain control, protected by a folding cover
- Can be wall-mounted using screws
- "F" connectors

Application example



Technical specifications : Ref. 553001

Frequency range	MHz	5 ... 65	88 ... 862	950 ... 2150
Gain	dB	-9	19	21
Gain @TV	dB	-16	11	13
Gain adjustment range	dB	--	0 ... 12	--
Output level DIN45004B	dB μ V	--	111	114
Noise figure	dB	--	4	3
Max current input	mA		300	
Input voltage	Vac		110 ... 230	
Mains frequency			50 Hz / 60 Hz	
Max. current	mA		34	
Max. power consumption	W		3.6	
Operating temperature	°C		-5 ... 45	
Protection index			20	