



## PicoKom domestic amplifier 3 outputs (2+TV): VHF/UHF – LTE700 Ready

Domestic amplifier with 3 outputs (2+TV) and automatic gain adjustment to extend the terrestrial television domestic network.

The TV output provides a lower gain for direct connection to the television set (no outlet installation).

Equipped with LTE700/5G filtering and input power supply for pre-amplifier or BOSS system feeding.

---

<b>Ref.</b>	560523
<b>Logical ref.</b>	NV203PICOLTE2
<b>EAN13</b>	8424450246504

---

### Packaging info

---

<b>Box</b>	1 pcs.
<b>Carton</b>	10 pcs.
<b>Bucket</b>	150 pcs.

---

### Physical data

---

<b>Net weight</b>	128.00 g
<b>Gross weight</b>	150.00 g
<b>Width</b>	90.00 mm
<b>Height</b>	68.00 mm
<b>Depth</b>	28.00 mm
<b>Main product weight</b>	128.00 g

---

### Highlights

---

- Plug & Play, no adjustments required: equipped with automatic gain regulation, without any impact on signal quality
- Pleasing design and limited size: can be installed in 100 mm x 100 mm connection boxes
- EasyF connection system
- Integrated high-performance switched-mode power supply: reduced power consumption (40% less than a standard amplifier)
- Fully automated manufacturing, subject to the most stringent quality controls

## Main features

---

- ON/OFF DC pass switch, for pre-amplifier or BOSS system powering
- Easy mounting, preserving the bending radius of the coaxial cables
- Can be wall-mounted using screws

## Discover

---

### **EasyF connection system: simplicity and savings**

EasyF is an innovative connection concept where the inner conductor of the coaxial cable is directly inserted in the device, thus improving connection reliability. Thanks to the absence of F connectors, the chassis can be reduced and the connection of two cables secured with a single screw.

- Real time savings: speeding the installation is possible without the need for coaxial cable termination. Furthermore, there is no need for screwing the connectors on the device, which is sometimes difficult when there is little room
- Connection reliability: the clamp holding the cables prevents the coaxial cable to come off
- Cost savings: no additional connectors are required (neither F nor IEC)
- Space optimization: inputs and outputs are always on the same side of the device to prevent coaxial cables from bending, and to make working inside cabinets and register boxes easier
- Very easy three-step mounting: only screwing and unscrewing the covers is required to connect both cables:

1. Unscrew the device's cover to access the connection
2. Insert the previously stripped coaxial cables
3. Close the cover and screw to ensure connection

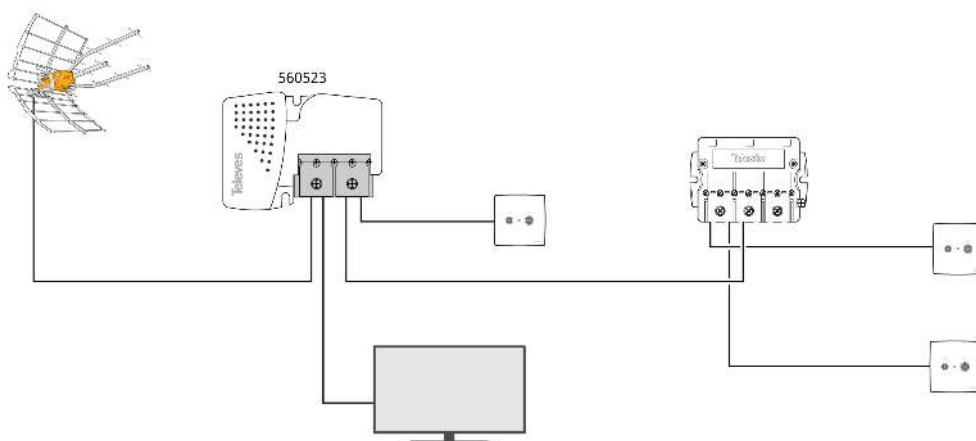
## Learn more about EasyF system reliability

With EasyF, the connection between the coaxial cable and the device is carried out using an automated system for contact insertion of the inner conductor, without any soldering.

- Always as new: the device's operating life increases when the factor of solder wearing out with time is removed
- Failure rate reduction: usually produced as a result of cold soldering joints
- Electromagnetic behaviour optimization: for high frequencies
- Our commitment with environment is reinforced: pollution caused by the welding process is eliminated and production power consumption is reduced

## Application example

---



## Technical specifications : Ref. 560523

Number of outputs			3	
TV output			Yes	
Frequency range	MHz	47 ... 400		470 ... 694
Gain	dB	10		16
Gain @TV	dB	0		4
Automatic gain range	dB	0 ... 20		0 ... 20
Output level DIN45004B	dB $\mu$ V	98		101
Output level EN60728-3 IMD3 2tones -35dB	dB $\mu$ V	105		108
Output level 10Ch DVB-T	dB $\mu$ V	--		92
Output level 2CH DBV-T	dB $\mu$ V	91		--
Noise figure	dB	4		4
Powering per inputs	Vdc		12	
Max current input	mA		150	
Input voltage	Vac		220 ... 230	
Mains frequency			50 Hz / 60 Hz	
Max. current	mA		30	
Max. power consumption	W		3.7	
Operating temperature	°C		-5 ... 45	
Protection index			20	