



MiniKom EasyF broadband multiband amplifier 5 inputs: FM- VHF-UHF-UHF-SAT

Configurable headend multiband amplifier for SMATV systems with separate amplification that guarantees the absence of intermodulation among inputs.

Equipped with 5 inputs: FM-VHF-UHF-UHF-SAT; the VHF and UHF inputs have both selectable gain margins, whereas the FM input has a single amplifying stage. The SAT stage includes a switch for LNB powering selection, either local mode (through the power supply itself) or remote mode (through an external STB).

Equipped with LTE700 filtering and an output LED signal indicator for immediate network failure detection.

Ref.	562221
Logical ref.	MVNSF536DD2
EAN13	8424450228487

Packaging info

Box	1 pcs.
------------	--------

Physical data

Net weight	637.00 g
Gross weight	707.00 g
Width	103.00 mm
Height	103.00 mm

Depth	50.00 mm
Main product weight	637.00 g

Highlights

- Very compact size (103 mm x 103 mm x 50 mm)
- LED indicators to display the presence of both output signal and power supply
- Two amplifying stages for TV bands
- Switch-mode power supply ensuring low power consumption
- EasyF connection system
- High-screening Zamak chassis
- Test output (-30 dB)
- Intuitive front cover, including adjustments and block diagram
- ON/OFF DC pass switch on VHF and UHF inputs for pre-amplifier or BOSS system powering
- Can be wall-mounted using screws

Discover

EasyF connection system: simplicity and savings

EasyF is an innovative connection concept where the inner conductor of the coaxial cable is directly inserted in the device, thus improving connection reliability. Thanks to the absence of F connectors, the chassis can be reduced and the connection of two cables secured with a single screw.

- Real time savings: speeding the installation is possible without the need for coaxial cable termination. Furthermore, there is no need for screwing the connectors on the device, which is sometimes difficult when there is little room
- Connection reliability: the clamp holding the cables prevents the coaxial cable to come off
- Cost savings: no additional connectors are required (neither F nor IEC)
- Space optimization: inputs and outputs are always on the same side of the device to prevent

coaxial cables from bending, and to make working inside cabinets and register boxes easier

- Very easy three-step mounting: only screwing and unscrewing the covers is required to connect both cables:

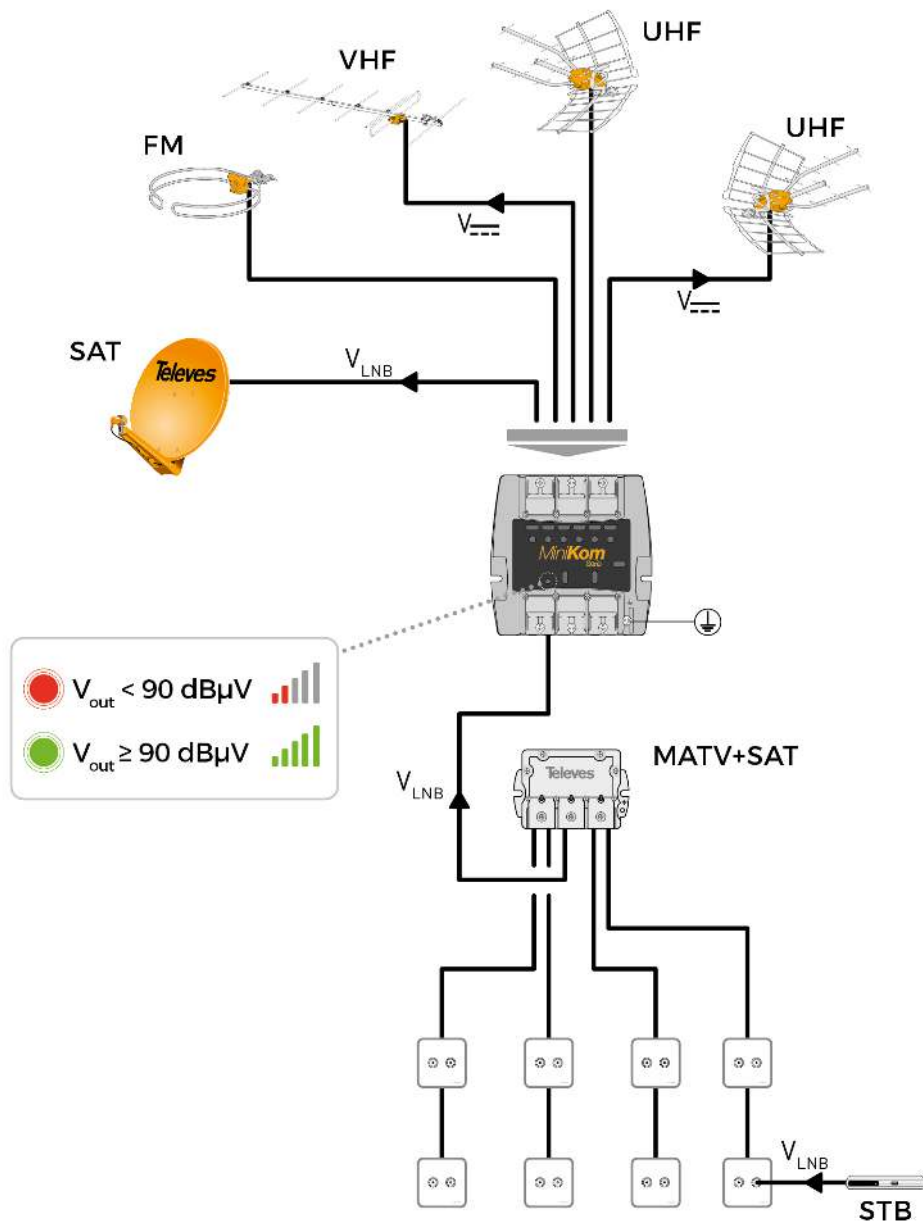
1. Unscrew the device's cover to access the connection
2. Insert the previously stripped coaxial cables
3. Close the cover and screw to ensure connection

Learn more about EasyF system reliability

With EasyF, the connection between the coaxial cable and the device is carried out using an automated system for contact insertion of the inner conductor, without any soldering.

- Always as new: the device's operating life increases when the factor of solder wearing out with time is removed
- Failure rate reduction: usually produced as a result of cold soldering joints
- Electromagnetic behaviour optimization: for high frequencies
- Our commitment with environment is reinforced: pollution caused by the welding process is eliminated and production power consumption is reduced

Application example



Technical specifications : Ref. 562221

Bands		FM	VHF	UHF 1	UHF 2	SAT
Frequency range	MHz	88 ... 108	174 ... 400	470 ... 694	470 ... 694	950 ... 2150
High gain	dB	15	34	36	36	42
Low gain	dB	15	24	26	26	42
Gain adjustment range	dB	0 ... 20	0 ... 20	0 ... 20	0 ... 20	0 ... 30
Noise figure	dB	6	5	10	10	--
Output level EN50083 IMD2 2tones -60dB	dBmV	--	41	--	--	--
Output level EN50083 IMD3 2tones -35dB	dBmV	60	61	62	62	62
Output level EN50083 IMD3 2tones -60dB	dBmV	50	51	52	52	--
Output level DIN45004B	dBmV	53	54	55	55	--
Equalizator	dB	--	--	--	--	0 ... 15
Powering per inputs	Vdc	0	12	12	0	--
Max current input	mA	0	200	200	0	--
Powering LNB - Local	Vdc	--	--	--	--	12
Max. local current for LNB	mA	--	--	--	--	400
Powering LNB - Remote	Vdc	--	--	--	--	12
Max. remote current for LNB	mA	--	--	--	--	500
Max power consumption (Inputr powering OFF)	W			6.5		
Max power consumption (Inputs powering ON)	W			12.5		
Input voltage	Vac			220 ... 230		
Mains frequency				50 Hz / 60 Hz		
Number of inputs				5		
Number of outputs				1		
Connectors				"EasyF" type		
Operating temperature	°F			23 ... 113		
Protection index (IP)				20		