



## PicoKom power supply unit 12 V - 200 mA, 2 outputs

Domestic 12 V-power supply (200 mA) that powers equipment through the input coaxial cable while allowing the transmission of the TV signal. Included in the installation to power either mast amplifiers or a BOSS system. Furthermore, it is equipped with two outputs.

<b>Ref.</b>	579401
<b>Logical ref.</b>	PSU122PICO
<b>EAN13</b>	8424450169025

### Packaging info

<b>Box</b>	1 pcs.
<b>Carton</b>	10 pcs.

### Physical data

<b>Net weight</b>	187.00 g
<b>Gross weight</b>	187.00 g
<b>Width</b>	90.00 mm
<b>Height</b>	67.00 mm
<b>Depth</b>	27.00 mm
<b>Main product weight</b>	126.00 g

### Highlights

- High-performance switched-mode power supply: saves up to 40% power consumption
- Very low power consumption

- Pleasing design and ultra-small size: can be installed in 100 mm x 100 mm connection boxes
- EasyF connection system
- Fully automated manufacturing, subject to the most stringent quality controls

## Main features

---

- Can be wall-mounted using screws
- Through losses may vary depending on whether 1 or 2 outputs are used

## Discover

---

### EasyF connection system: simplicity and savings

EasyF is an innovative connection concept where the inner conductor of the coaxial cable is directly inserted in the device, thus improving connection reliability. Thanks to the absence of F connectors, the chassis can be reduced and the connection of two cables secured with a single screw.

- Real time savings: speeding the installation is possible without the need for coaxial cable termination. Furthermore, there is no need for screwing the connectors on the device, which is sometimes difficult when there is little room
- Connection reliability: the clamp holding the cables prevents the coaxial cable to come off
- Cost savings: no additional connectors are required (neither F nor IEC)
- Space optimization: inputs and outputs are always on the same side of the device to prevent coaxial cables from bending, and to make working inside cabinets and register boxes easier
- Very easy three-step mounting: only screwing and unscrewing the covers is required to connect both cables:

1. Unscrew the device's cover to access the connection
2. Insert the previously stripped coaxial cables
3. Close the cover and screw to ensure connection

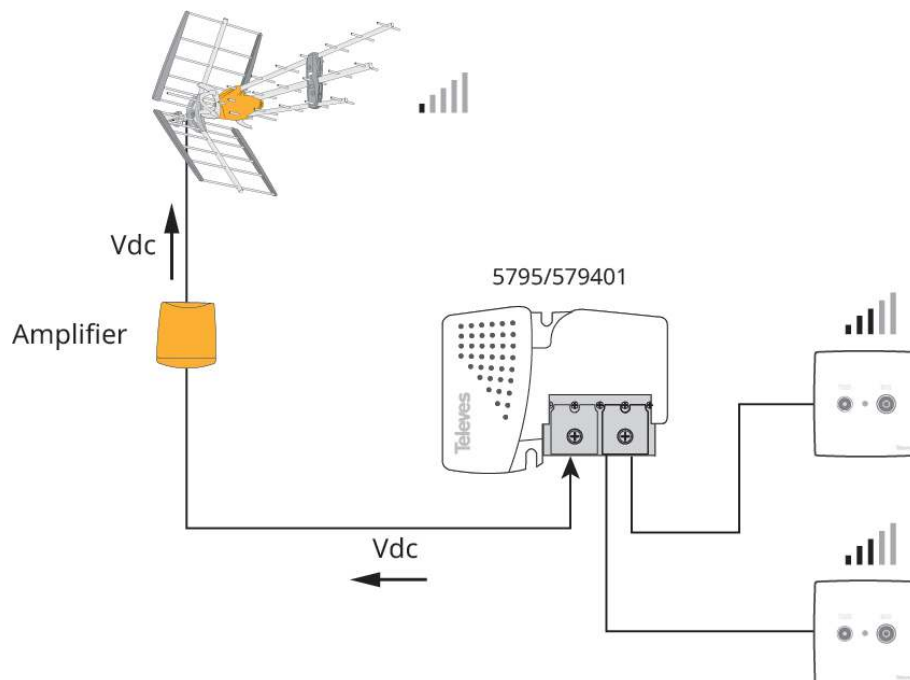
## Learn more about EasyF system reliability

With EasyF, the connection between the coaxial cable and the device is carried out using an automated system for contact insertion of the inner conductor, without any soldering.

- Always as new: the device's operating life increases when the factor of solder wearing out with time is removed
- Failure rate reduction: usually produced as a result of cold soldering joints
- Electromagnetic behaviour optimization: for high frequencies
- Our commitment with environment is reinforced: pollution caused by the welding process is eliminated and production power consumption is reduced

## Application example

---



## Technical specifications : Ref. 579401

Plug type			EU
Number of outputs			2
Frequency range	MHz	5 ... 862	862 ... 2400
Insertion losses: 1 output	dB	1.5	4 ... 10
Insertion losses: 2 outputs	dB	4	5
Output voltage	Vdc		12
Max. output current	mA		200
Input voltage	Vac		220 ... 230
Mains frequency			50 Hz / 60 Hz
Max. current	mA		30
Max. power consumption	W		3.5
Operating temperature	°C		-5 ... 45
Protection index			20