



## NevoSwitch equipped with 9 QUAD inputs and 12 outputs

### When quality matters

Quad-compatible multiswitch equipped with 9 inputs (one terrestrial and 8 for two satellites, each with its four polarities) and 12 user outputs.

Can be used as a terminal (star topology) or as a cascade by using a simple switch.

---

|                     |               |
|---------------------|---------------|
| <b>Ref.</b>         | 714202        |
| <b>Logical ref.</b> | MS912NCQ      |
| <b>EAN13</b>        | 8424450187425 |

---

### Other features

---

**Power Supply** 12V - 3A

---

### Packaging info

---

**Box** 1 pcs.

---

### Highlights

---

- 10 dB Low Gain (LG) / High Gain (HG) switch for the attenuation of the satellite input signal for each 8-user group
- Optimized for Quad LNB thanks to a 22 KHz generator
- Compatible with return-channel applications
- European design, quality, and manufacturing

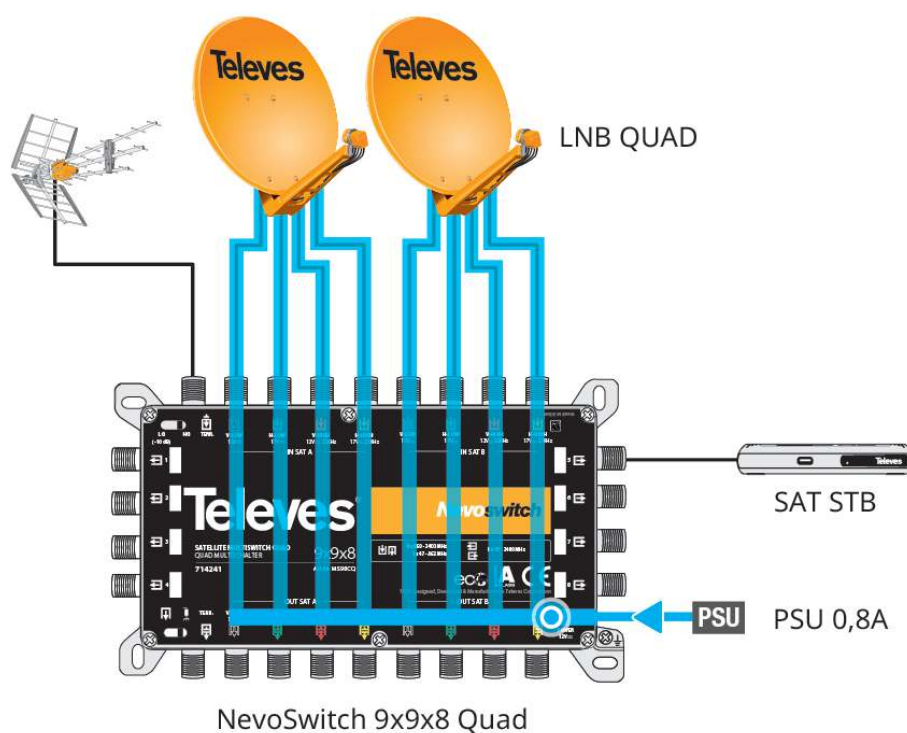
### Main features

---

- Very compact
- Made of zamak
- Input and output colour identification
- Available ECO mode
- Selector switch to shift between cascade and terminal modes
- 12 V power supply
- Low power consumption

## Application example

### SIMPLE CONFIGURATION



## Technical specifications : Ref. 714202

|                            |      |              |
|----------------------------|------|--------------|
| Number of inputs           |      | 9            |
| Number of cascable outputs |      | 9            |
| Number of user outputs     |      | 12           |
| Frequency range TERR.      | MHz  | 88 ... 862   |
| Frequency range SAT.       | MHz  | 950 ... 2400 |
| Input level TERR.          | dBμV | 90           |
| Input level SAT.           | dBμV | 112          |
| Through losses TERR.       | dB   | 4            |
| Through losses SAT.        | dB   | 3.5 ... 10   |
| Tap losses 1...8 TERR.     | dB   | 4            |
| Tap losses 1...8 SAT.      | dB   | 0            |
| Tap losses 9...16 TERR.    | dB   | 6            |
| Tap losses 9...16 SAT.     | dB   | 4            |
| Isolation H/V              | dB   | > 30         |
| Isolation users            | dB   | > 25         |
| Powering                   | Vdc  | 12           |
| Max. current (PSU - LG)    | mA   | 135          |
| Max. current (PSU - HG)    | mA   | 195          |
| Max. current (STB)         | mA   | 35           |
| Operating temperature      | °C   | -5 ... 45    |
| Protection index           |      | 20           |