



NevoSwitch equipped with 9 QUAD inputs and 12 outputs

When quality matters

Quad-compatible multiswitch equipped with 9 inputs (one terrestrial and 8 for two satellites, each with its four polarities) and 12 user outputs.

Can be used as a terminal (star topology) or as a cascade by using a simple switch.

Ref.	714212
EAN13	8424450187470

Other features

Power Supply	12V - 1.5A (UK plug)
---------------------	----------------------

Packaging info

Box	1 pcs.
------------	--------

Highlights

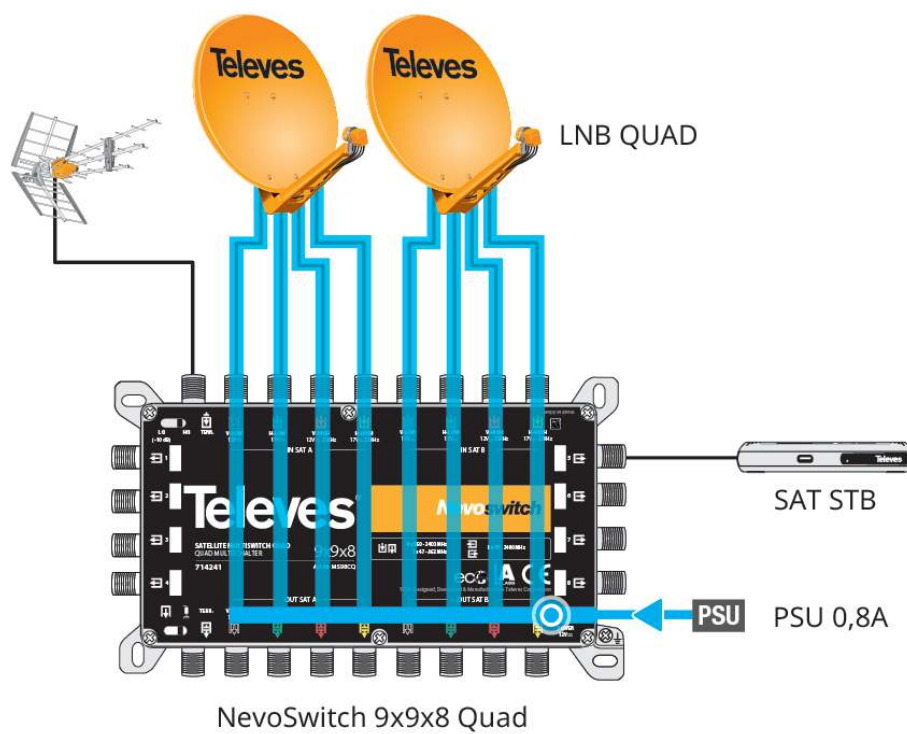
- 10 dB Low Gain (LG) / High Gain (HG) switch for the attenuation of the satellite input signal for each 8-user group
- Optimized for Quad LNB thanks to a 22 KHz generator
- Compatible with return-channel applications
- European design, quality, and manufacturing

Main features

- Very compact
- Made of zamak
- Input and output colour identification
- Available ECO mode
- Selector switch to shift between cascade and terminal modes
- 12 V power supply
- Low power consumption

Application example

SIMPLE CONFIGURATION



Technical specifications : Ref. 714212

Number of inputs		9
Number of cascable outputs		9
Number of user outputs		12
Frequency range TERR.	MHz	88 ... 862
Frequency range SAT.	MHz	950 ... 2400
Input level TERR.	dB μ V	90
Input level SAT.	dB μ V	112
Through losses TERR.	dB	4
Through losses SAT.	dB	3.5 ... 10
Tap losses 1...8 TERR.	dB	4
Tap losses 1...8 SAT.	dB	0
Tap losses 9...16 TERR.	dB	6
Tap losses 9...16 SAT.	dB	4
Isolation H/V	dB	> 30
Isolation users	dB	> 25
Powering	Vdc	12
Max. current (PSU - LG)	mA	135
Max. current (PSU - HG)	mA	195
Max. current (STB)	mA	35
Operating temperature	°C	-5 ... 45
Protection index		20