

## NevoSwitch equipped with 9 QUAD inputs and 8 outputs

### When quality matters

Quad-compatible multiswitch equipped with 9 inputs (one terrestrial and 8 for two satellites, each with its four polarities) and 8 user outputs.

Can be used as a terminal (star topology) or as a cascade by using a simple switch.

<b>Ref.</b>	714241
<b>Logical ref.</b>	MS98CQ
<b>EAN13</b>	8424450190142

### Other features

<b>Power Supply</b>	PSU not included
---------------------	------------------

### Packaging info

<b>Box</b>	1 pcs.
------------	--------

### Physical data

<b>Net weight</b>	560.00 g
<b>Gross weight</b>	626.00 g
<b>Width</b>	208.00 mm
<b>Height</b>	120.00 mm
<b>Depth</b>	30.00 mm

### Highlights

- 10 dB Low Gain (LG) / High Gain (HG) switch for the attenuation of the satellite input signal for each 8-user group
- Optimized for Quad LNB thanks to a 22 KHz generator
- Compatible with return-channel applications

- European design, quality, and manufacturing

## Main features

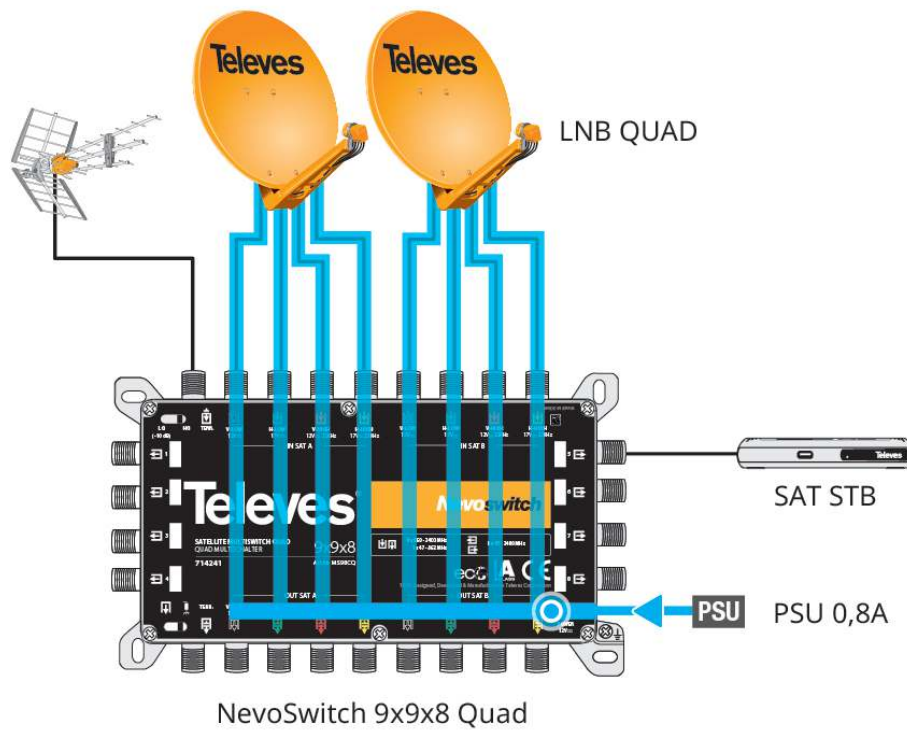
---

- Very compact
- Made of zamak
- Input and output colour identification
- Available ECO mode
- Selector switch to shift between cascade and terminal modes
- 12 V power supply
- Low power consumption

## Application example

---

SIMPLE CONFIGURATION



## Technical specifications : Ref. 714241

Number of inputs		9
Number of cascable outputs		9
Number of user outputs		8
Frequency range TERR.	MHz	88 ... 862
Frequency range SAT.	MHz	950 ... 2400
Input level TERR.	dBμV	90
Input level SAT.	dBμV	112
Through losses TERR.	dB	2
Through losses SAT.	dB	2 ... 5
Tap losses 1...8 TERR.	dB	4
Tap losses 1...8 SAT.	dB	0
Isolation H/V	dB	> 30
Isolation users	dB	> 25
Powering	Vdc	12
Max. current (PSU - LG)	mA	65
Max. current (PSU - HG)	mA	125
Max. current (STB)	mA	35
Operating temperature	°C	-5 ... 45
Protection index		20