

NevoSwitch equipped with 9 QUAD inputs and 32 outputs

When quality matters

Quad-compatible multiswitch equipped with 9 inputs (one terrestrial and 8 for two satellites, each with its four polarities) and 32 user outputs.

Can be used as a terminal (star topology) or as a cascade by using a simple switch.

| | |
|---------------------|---------------|
| Ref. | 714245 |
| Logical ref. | MS932CQ |
| EAN13 | 8424450190180 |

Other features

| | |
|---------------------|------------------|
| Power Supply | PSU not included |
|---------------------|------------------|

Packaging info

| | |
|------------|--------|
| Box | 1 pcs. |
|------------|--------|

Physical data

| | |
|-------------------|------------|
| Net weight | 2,500.00 g |
|-------------------|------------|

| | |
|---------------------|------------|
| Gross weight | 2,645.00 g |
|---------------------|------------|

| | |
|--------------|-----------|
| Width | 208.00 mm |
|--------------|-----------|

| | |
|---------------|-----------|
| Height | 519.00 mm |
|---------------|-----------|

| | |
|--------------|----------|
| Depth | 30.00 mm |
|--------------|----------|

Highlights

- 10 dB Low Gain (LG) / High Gain (HG) switch for the attenuation of the satellite input signal for each 8-user group
- Optimized for Quad LNB thanks to a 22 KHz generator
- Compatible with return-channel applications

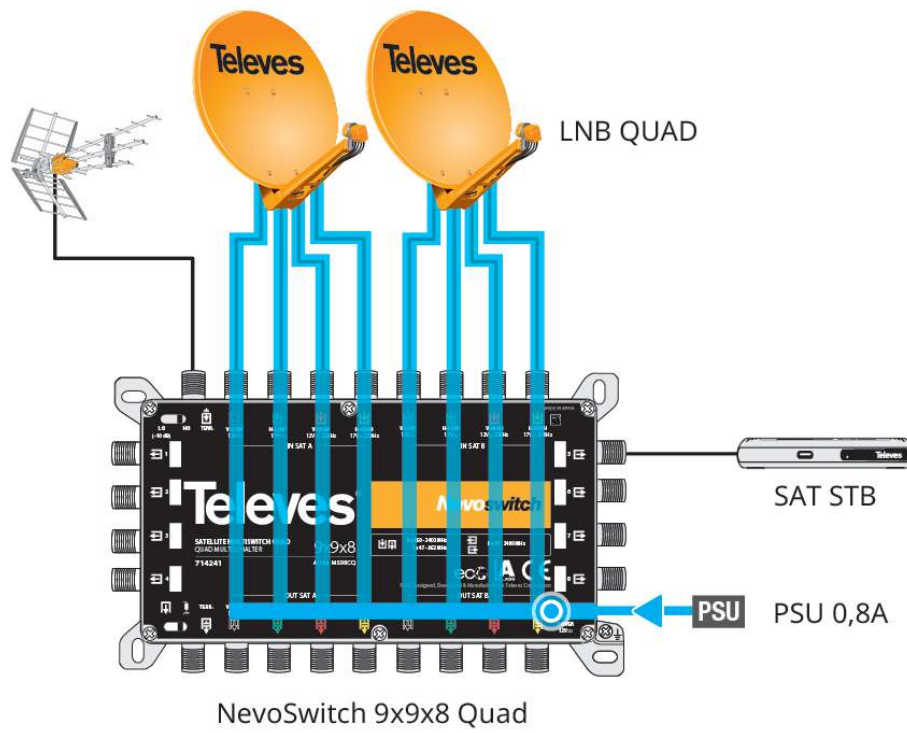
- European design, quality, and manufacturing

Main features

- Very compact
- Made of zamak
- Input and output colour identification
- Available ECO mode
- Selector switch to shift between cascade and terminal modes
- 12 V power supply
- Low power consumption

Application example

SIMPLE CONFIGURATION



Technical specifications : Ref. 714245

| | | |
|----------------------------|------|--------------|
| Number of inputs | | 9 |
| Number of cascable outputs | | 9 |
| Number of user outputs | | 32 |
| Frequency range TERR. | MHz | 88 ... 862 |
| Frequency range SAT. | MHz | 950 ... 2400 |
| Input level TERR. | dBμV | 90 |
| Input level SAT. | dBμV | 112 |
| Through losses TERR. | dB | 8 |
| Through losses SAT. | dB | 8 ... 18 |
| Tap losses 1...8 TERR. | dB | 4 |
| Tap losses 1...8 SAT. | dB | 0 |
| Tap losses 9...16 TERR. | dB | 6 |
| Tap losses 9...16 SAT. | dB | 4 |
| Tap losses 17...24 TERR. | dB | 8 |
| Tap losses 17...24 SAT. | dB | 8 |
| Tap losses 25...32 TERR. | dB | 10 |
| Tap losses 25...32 SAT. | dB | 12 |
| Isolation H/V | dB | > 30 |
| Isolation users | dB | > 25 |
| Powering | Vdc | 12 |
| Max. current (PSU - LG) | mA | 335 |
| Max. current (PSU - HG) | mA | 395 |
| Max. current (STB) | mA | 35 |
| Operating temperature | °C | -5 ... 45 |
| Protection index | | 20 |