



NevoSwitch 9 inputs - 8 outputs

When quality matters

Multiswitch equipped with 9 inputs (one terrestrial and 8 for two satellites, each with its four polarities) and 8 user outputs.

Can be used as a terminal (star topology) or as a cascade by using a simple switch.

Ref.	714601
Logical ref.	MS98C
EAN13	8424450173077

Packing

Box	1 pcs.
------------	--------

Physical data

Net weight	560.00 g
Gross weight	560.00 g
Width	206.00 mm
Height	121.00 mm
Depth	29.00 mm
Main product weight	552.00 g

Highlights

- 10 dB Low Gain (LG) / High Gain (HG) switch for the attenuation of the satellite input signal for each 8-user group
- Remote power feeding using VL
- Current circulation between all inputs and cascades

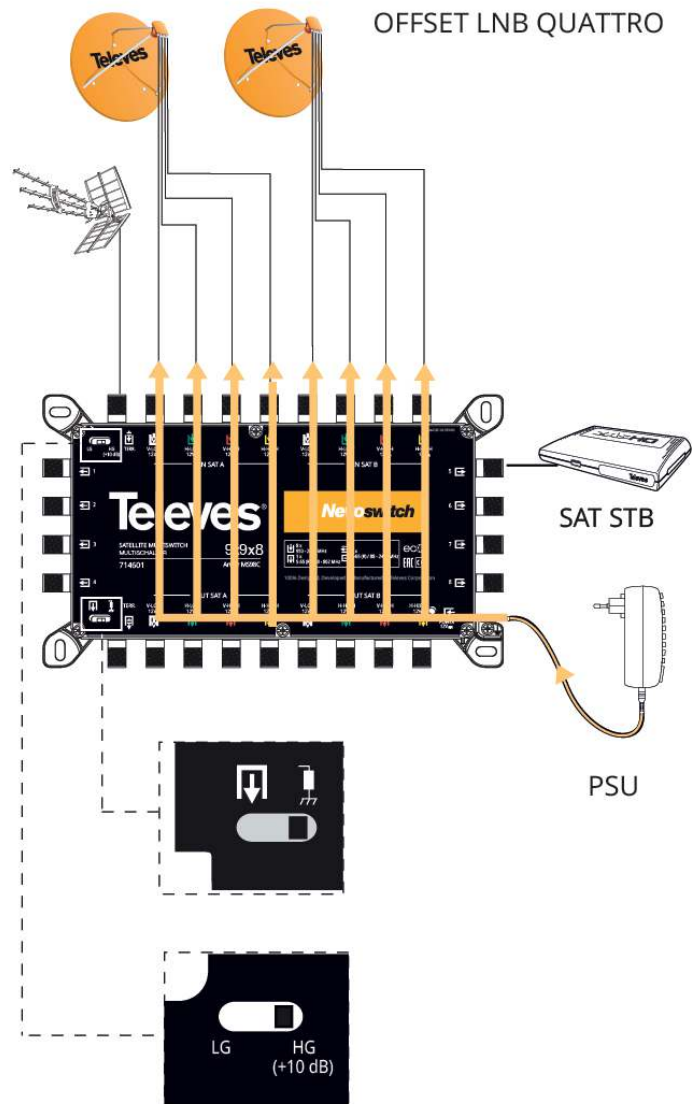
- Compatible with return-channel applications
- European design, quality, and manufacturing

Main features

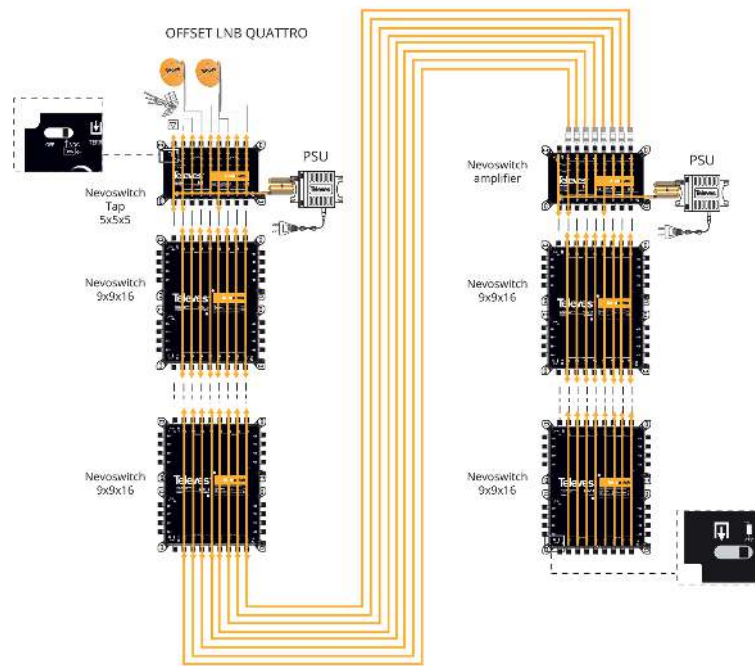
- Very compact
- Made of zamak
- Input and output colour identification
- Available ECO mode
- Selector switch to shift between cascade and terminal modes
- 12 V power supply
- Low power consumption

Application example

SIMPLE CONFIGURATION



CASCADE CONFIGURATION



Technical specifications : Ref. 714601

Number of inputs		9
Number of cascable outputs		9
Number of user outputs		8
Frequency range TERR.	MHz	88 ... 862
Frequency range SAT.	MHz	950 ... 2400
Input level TERR.	dBμV	90
Input level SAT.	dBμV	112
Through losses TERR.	dB	2
Through losses SAT.	dB	2 ... 5
Tap losses 1...8 TERR.	dB	4
Tap losses 1...8 SAT.	dB	0
Isolation H/V	dB	> 30
Isolation users	dB	> 25
Powering	Vdc	12
Max. current (PSU - LG)	mA	40
Max. current (PSU - HG)	mA	85
Max. current (STB)	mA	35
Operating temperature	°C	-5 ... 45
Protection index		20