



NevoSwitch 9 inputs - 16 outputs

When quality matters

Multiswitch equipped with 9 inputs (one terrestrial and 8 for two satellites, each with its four polarities) and 16 user outputs.

Can be used as a terminal (star topology) or as a cascade by using a simple switch.

Ref.	714603
Logical ref.	MS916C
EAN13	8424450173091

Packing

Box	1 pcs.
-----	--------

Physical data

Net weight	1,186.00 g
Gross weight	1,186.00 g
Width	206.00 mm
Height	255.00 mm
Depth	29.00 mm
Main product weight	1,178.00 g

Highlights

- 10 dB Low Gain (LG) / High Gain (HG) switch for the attenuation of the satellite input signal for each 8-user group
- Remote power feeding using VL
- Current circulation between all inputs and cascades

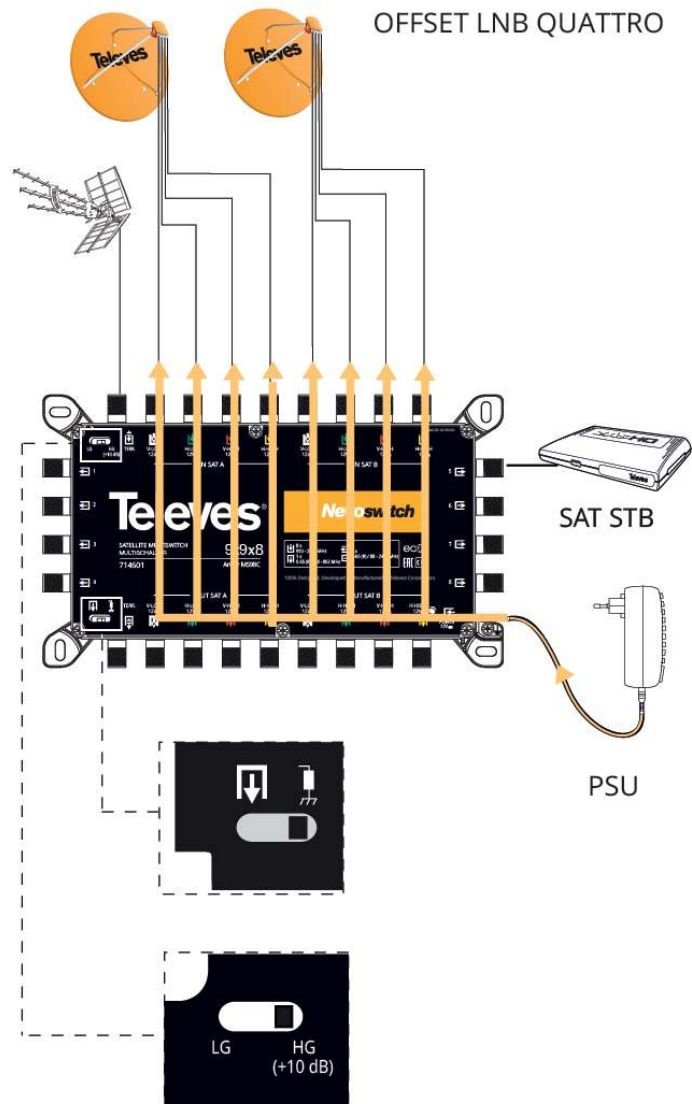
- Compatible with return-channel applications
- European design, quality, and manufacturing

Main features

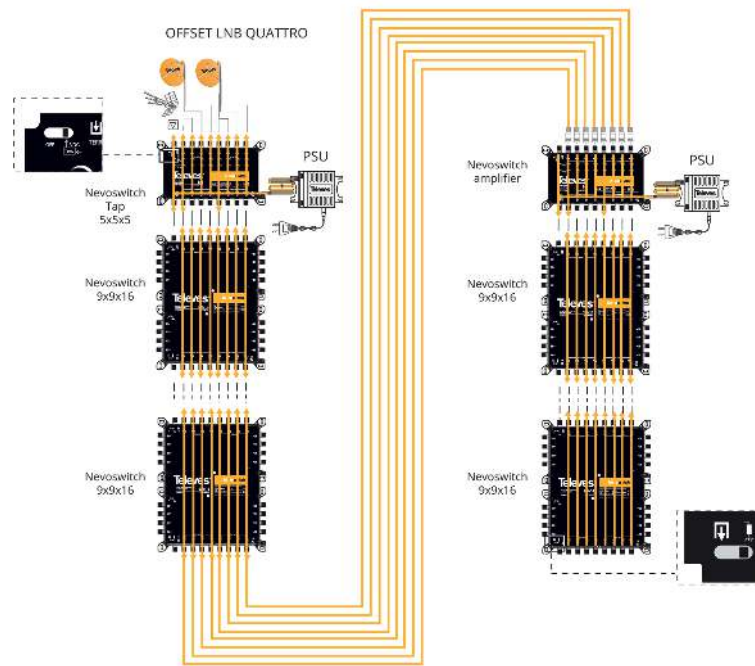
- Very compact
- Made of zamak
- Input and output colour identification
- Available ECO mode
- Selector switch to shift between cascade and terminal modes
- 12 V power supply
- Low power consumption

Application example

SIMPLE CONFIGURATION



CASCADE CONFIGURATION



Technical specifications : Ref. 714603

Number of inputs		9
Number of cascable outputs		9
Number of user outputs		16
Frequency range TERR.	MHz	88 ... 862
Frequency range SAT.	MHz	950 ... 2400
Input level TERR.	dBμV	90
Input level SAT.	dBμV	112
Through losses TERR.	dB	4
Through losses SAT.	dB	3.5 ... 10
Tap losses 1...8 TERR.	dB	4
Tap losses 1...8 SAT.	dB	0
Tap losses 9...16 TERR.	dB	6
Tap losses 9...16 SAT.	dB	4
Isolation H/V	dB	> 30
Isolation users	dB	> 25
Powering	Vdc	12
Max. current (PSU - LG)	mA	85
Max. current (PSU - HG)	mA	180
Max. current (STB)	mA	35
Operating temperature	°C	-5 ... 45
Protection index		20