



## NevoSwitch 9 inputs - 16 outputs

When quality matters

Multiswitch equipped with 9 inputs (one terrestrial and 8 for two satellites, each with its four polarities) and 16 user outputs.

Can be used as a terminal (star topology) or as a cascade by using a simple switch.

Ref.	714603
Logical ref.	MS916C
EAN13	8424450173091

### Packaging info

Box	1 pcs.
-----	--------

### Physical data

Net weight	1,186.00 g
Gross weight	1,186.00 g
Width	206.00 mm
Height	255.00 mm
Depth	29.00 mm
Main product weight	1,178.00 g

### Highlights

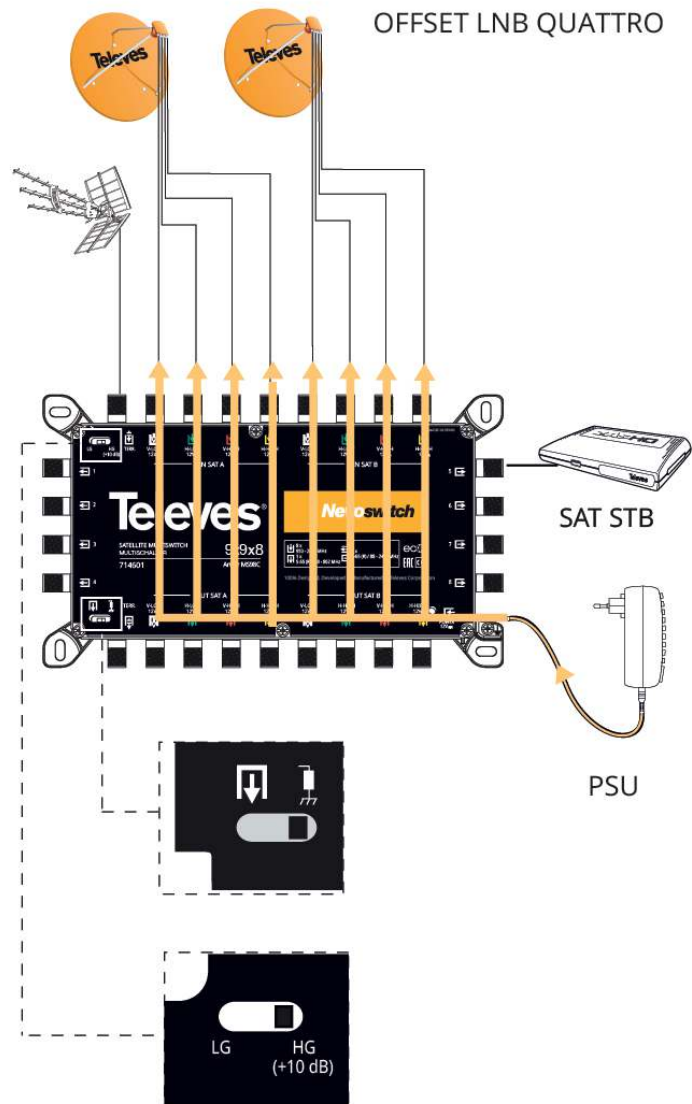
- Very compact
- Made of zamak
- 10 dB Low Gain (LG) / High Gain (HG) switch for the attenuation of the satellite input signal for each 8-user group

- Remote power feeding through all satellite trunk lines
- Current circulation between all inputs and cascades
- Compatible with return-channel applications
- Available ECO mode
- Selector switch to shift between cascade and terminal modes
- 12 V power supply
- Low power consumption
- Input and output colour identification
- European design, quality, and manufacturing

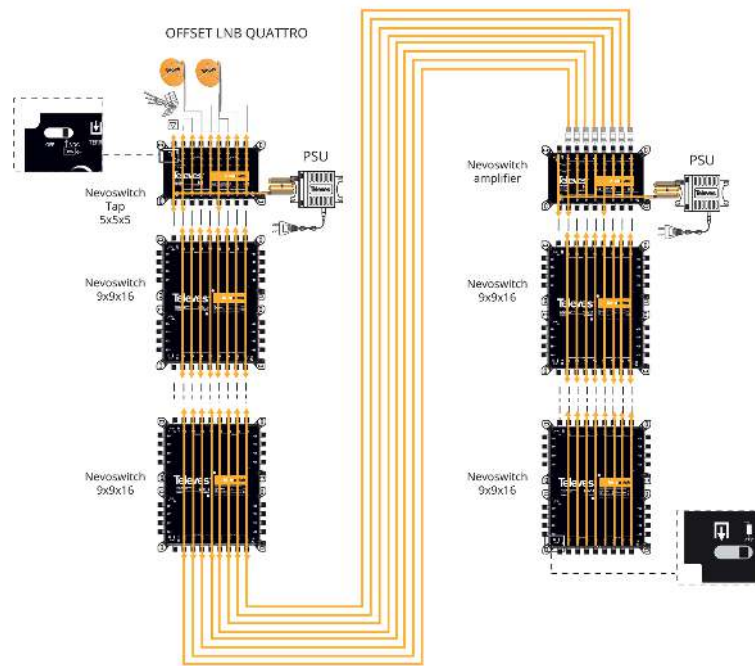
## Application example

---

### SIMPLE CONFIGURATION



## CASCADE CONFIGURATION



## Technical specifications : Ref. 714603

Number of inputs		9
Number of cascable outputs		9
Number of user outputs		16
Frequency range TERR.	MHz	88 ... 862
Frequency range SAT.	MHz	950 ... 2400
Input level TERR.	dBmV	0.09
Input level SAT.	dBmV	0.112
Through losses TERR.	dB	4
Through losses SAT.	dB	3.5 ... 10
Tap losses 1...8 TERR.	dB	4
Tap losses 1...8 SAT.	dB	0
Tap losses 9...16 TERR.	dB	6
Tap losses 9...16 SAT.	dB	4
Isolation H/V	dB	> 30
Isolation users	dB	> 25
Powering	Vdc	12
Max. current (PSU - LG)	mA	85
Max. current (PSU - HG)	mA	180
Max. current (STB)	mA	35
Operating temperature	°F	23 ... 113
Protection index		20