



NevoSwitch 13 inputs - 12 outputs

When quality matters

Multiswitch equipped with 13 inputs (one terrestrial and 12 for three satellites, each with its four polarities) and 12 user outputs.

Can be used as a terminal (star topology) or as a cascade by using a simple switch.

Ref.	714702
Logical ref.	MS1312C
EAN13	8424450173183

Packaging info

Box	1 pcs.
-----	--------

Physical data

Net weight	1,579.00 g
Gross volume	3.10 dm ³
Gross weight	1,579.00 g
Width	275.00 mm
Height	255.00 mm
Depth	30.00 mm
Main product weight	1,571.00 g

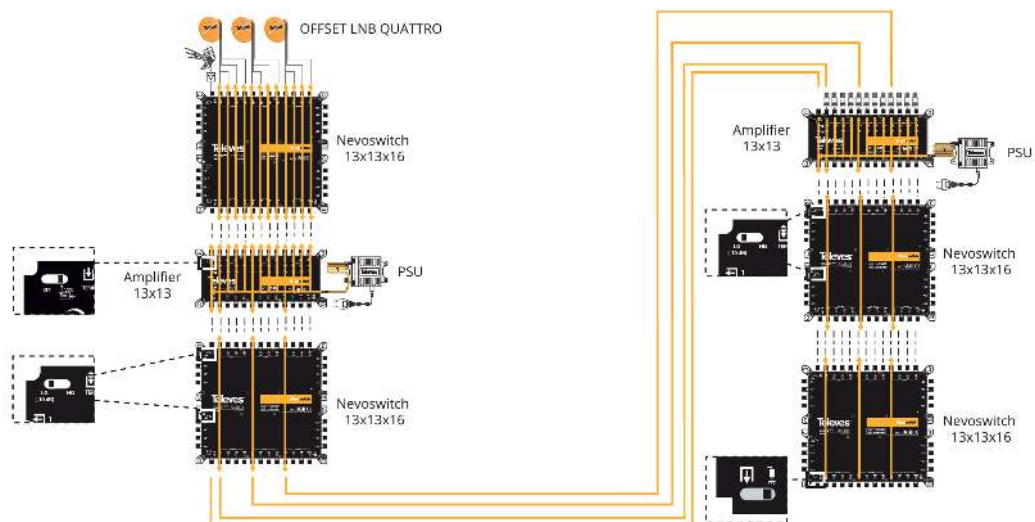
Highlights

- Very compact
- Made of zamak
- 10 dB Low Gain (LG) / High Gain (HG) switch for the attenuation of the satellite input signal for

each 8-user group

- Remote power feeding through all satellite trunk lines
- Current circulation between all inputs and cascades
- Compatible with return-channel applications
- Available ECO mode
- Selector switch to shift between cascade and terminal modes
- 12 V power supply
- Low power consumption
- Input and output colour identification
- European design, quality, and manufacturing

Application example



Technical specifications : Ref. 714702

Number of inputs		13
Number of cascable outputs		13
Number of user outputs		12
Frequency range TERR.	MHz	88 ... 862
Frequency range SAT.	MHz	950 ... 2400
Input level TERR.	dBmV	0.09
Input level SAT.	dBmV	0.112
Through losses TERR.	dB	4
Through losses SAT.	dB	3.5 ... 10
Tap losses 1...8 TERR.	dB	4
Tap losses 1...8 SAT.	dB	3
Tap losses 9...16 TERR.	dB	6
Tap losses 9...16 SAT.	dB	6
Isolation H/V	dB	> 30
Isolation users	dB	> 25
Powering	Vdc	12
Max. current (PSU - LG)	mA	85
Max. current (PSU - HG)	mA	150
Max. current (STB)	mA	40
Operating temperature	°F	23 ... 113
Protection index		20