



NevoSwitch amplifier 13 inputs 27/31 dB

NevoSwitch amplifier equipped with 13 inputs (one terrestrial and the four polarities of three satellites) that allows increasing the number of users in the installation while optimizing the signal received by each of them. Around 27 dB and 31 dB amplification in terrestrial and satellite respectively. Compatible with the return channel (passive).

Ref.	714709
Logical ref.	MS1327VGQ
EAN13	8424450173510

Packaging info

Box	1 pcs.
-----	--------

Physical data

Net weight	734.00 g
Gross weight	734.00 g
Width	275.00 mm
Height	121.00 mm
Depth	30.00 mm
Main product weight	726.00 g

Highlights

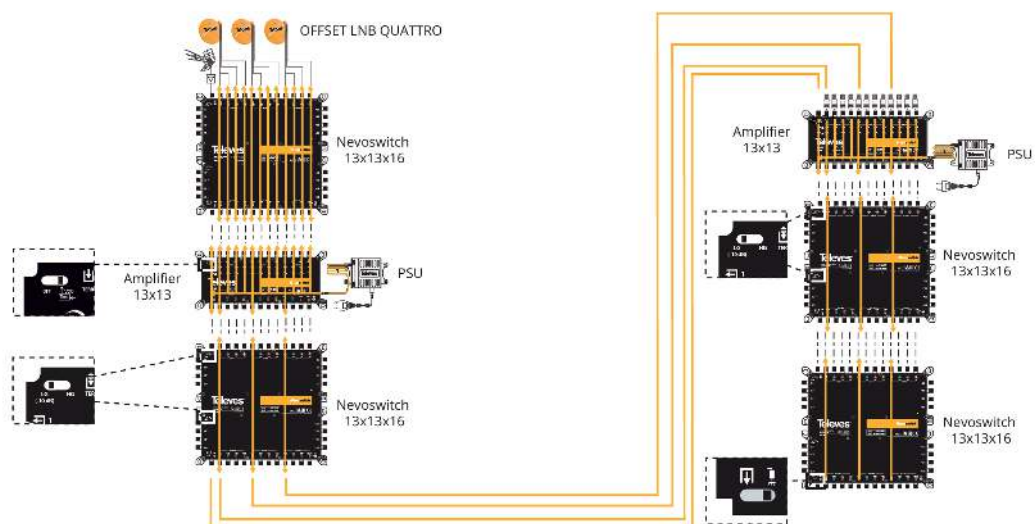
- High output level
- Switch for the selection of whether or not to power the terrestrial pre-amplifiers (VDC or OFF)
- Gain (20 dB) and slope (12 dB) individual adjustment

- Power feeding through the VL input/output

Main features

- Very compact
- Made of zamak
- Input and output colour identification
- 12 V power supply
- Low power consumption

Application example



Technical specifications : Ref. 714709

Number of inputs			13
Number of outputs			13
Bands		TERR	SAT
Frequency range	MHz	88 ... 862	950 ... 2400
Output level	dB μ V	112	119
Gain	dB	27	30
Gain adjustment range	dB		0 ... 20
Slope regulation	dB		0 ... 12
Isolation	dB		> 30
Powering	Vdc		12 ... 18
Max current consumption (@12V)	mA		865
Max current consumption (@18V)	mA		580
Max. power consumption	W		10.4
Operating temperature	°C		-5 ... 45
Protection index (IP)			20