



Televes reserves the right to modify the product

## Quad LNB offset 4 outputs: Hh/Vh/HL/VI

Quad LNB converter, equipped with four universal outputs, each with the four polarity/band combinations (Hh, HI, Vh, VI).

Supplied in individual packing.

<b>Ref.</b>	747202
<b>Logical ref.</b>	SPU44EN
<b>EAN13</b>	8424450137093

### Other features

<b>Colour</b>	Grey
---------------	------

### Packaging info

<b>Box</b>	1 pcs.
<b>Carton</b>	50 pcs.
<b>Pallet</b>	600 pcs.

### Physical data

<b>Net weight</b>	360.00 g
<b>Gross weight</b>	360.00 g
<b>Width</b>	149.00 mm
<b>Height</b>	113.00 mm
<b>Depth</b>	65.00 mm
<b>Main product weight</b>	317.00 g

### Highlights

- Low visual impact design and small casing
- High gain
- Low noise figure
- Outstanding linearity and careful equalization

- High discrimination between polarities
- Very high IP protection index (IP66)
- Can be used under extreme temperature conditions

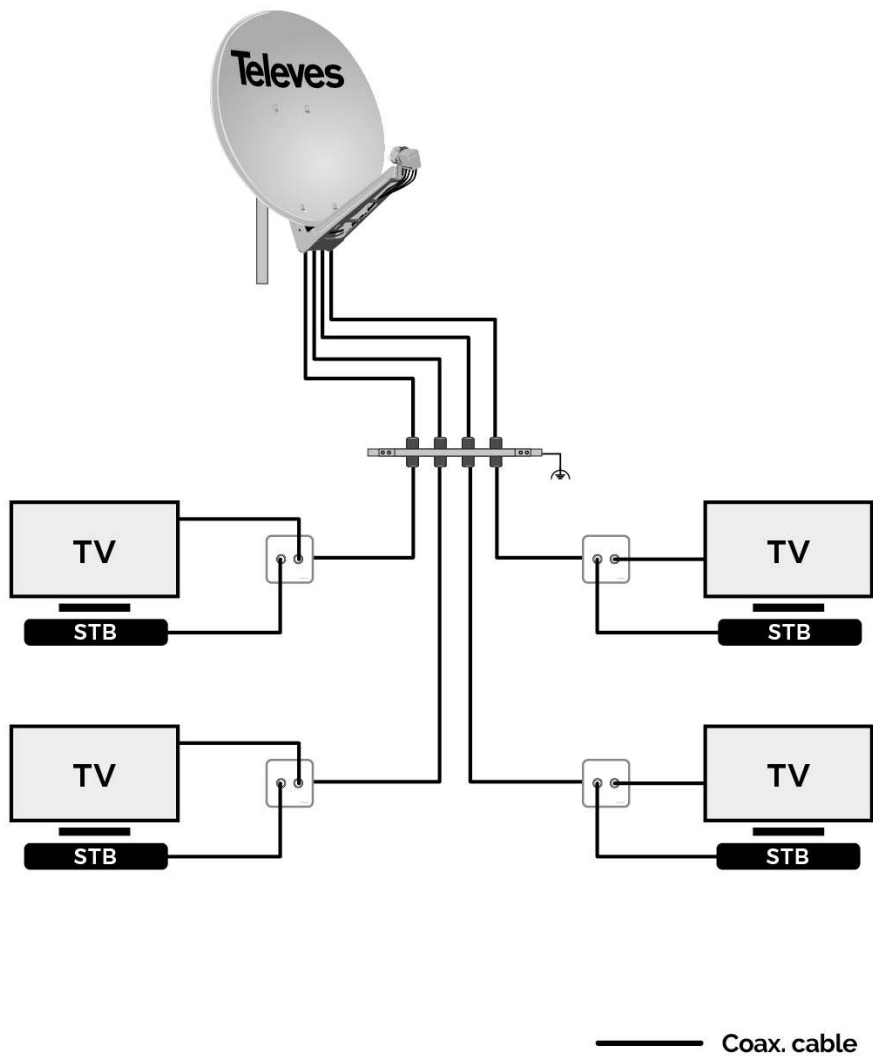
## Main features

---

- Light-weight
- Compatible with 40-mm supports
- Low power consumption
- Power feeding either through the receiver or the multiswitch
- Simple connection
- Multisatellite-compatible solutions

## Application example

---



## Technical specifications : Ref. 747202

Frequency range	GHz	10.7 ... 12.75
Control signals Horizontal	Vdc	16 ... 19
Control signals Vertical	Vdc	12 ... 14
Output frequency range	MHz	950 ... 2150
L.O. frequency 0KHz	GHz	9.75
L.O. frequency 22KHz	GHz	10.6
Gain	dB	60
Noise figure	dB	0.3
L.O. stability	MHz	-1.5 ... 1.5
Polarities discrimination	dB	> 20
Phase noise (@10 KHz)	dBc	-80
Powering	Vdc	11 ... 19
Max. current	mA	150
Impedance	$\Omega$	75
Connectors		"F" female
LNB-bracket diameter	mm	40
Operating temperature	$^{\circ}\text{C}$	-30 ... 60