



Quad LNB offset 4 outputs: Hh/Vh/HL/VI

Quad LNB converter, equipped with four universal outputs, each with the four polarity/band combinations (Hh, HI, Vh, VI).

Supplied in individual packing.

Ref.	761001
Logical ref.	LNBU44
EAN13	8424450137734

Other features

Colour	Orange
--------	--------

Packaging info

Box	1 pcs.
Carton	30 pcs.
Pallet	540 pcs.

Physical data

Net weight	390.00 g
Gross weight	390.00 g
Width	149.00 mm
Height	113.00 mm
Depth	65.00 mm
Main product weight	316.00 g

Highlights

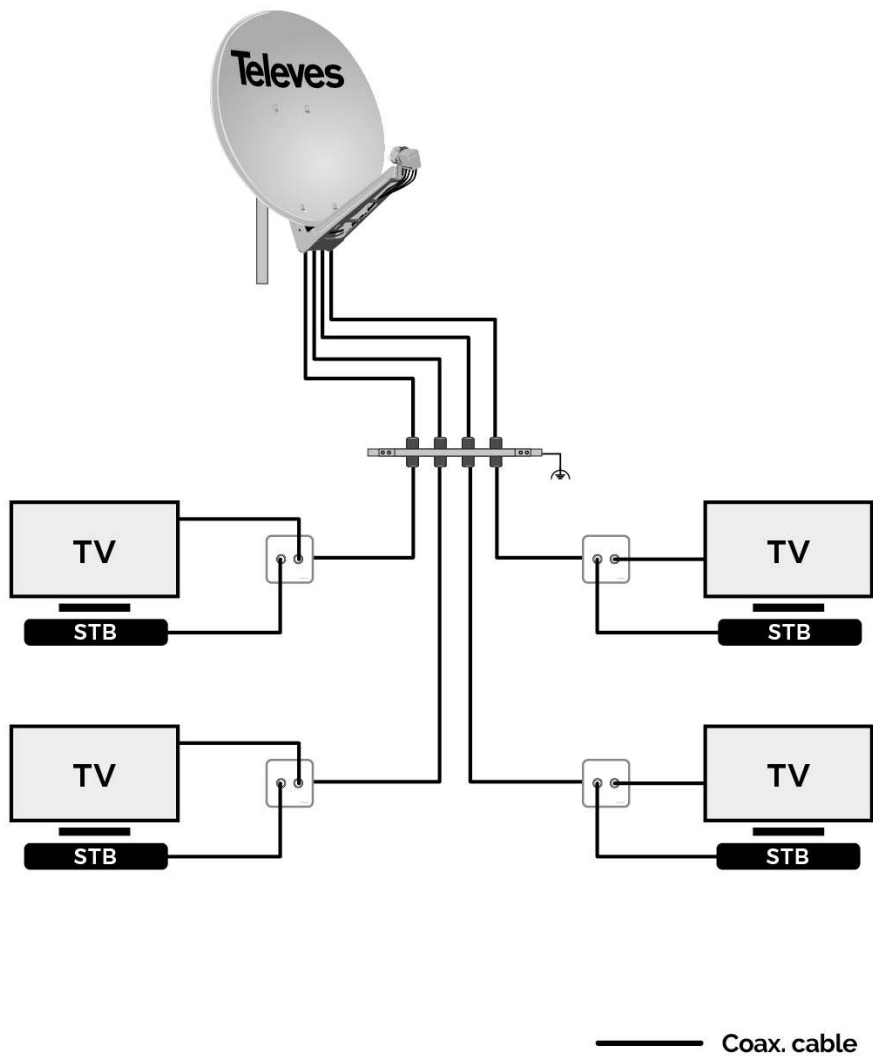
- Low visual impact design and small casing
- High gain
- Low noise figure
- Outstanding linearity and careful equalization

- High discrimination between polarities
- Very high IP protection index (IP66)
- Can be used under extreme temperature conditions

Main features

- Light-weight
- Compatible with 40-mm supports
- Low power consumption
- Power feeding either through the receiver or the multiswitch
- Simple connection
- Multisatellite-compatible solutions

Application example



Technical specifications : Ref. 761001

Frequency range	GHz	10.7 ... 12.75
Control signals Horizontal	Vdc	16 ... 19
Control signals Vertical	Vdc	12 ... 14
Output frequency range	MHz	950 ... 2150
L.O. frequency 0KHz	GHz	9.75
L.O. frequency 22KHz	GHz	10.6
Gain	dB	60
Noise figure	dB	0.3
L.O. stability	MHz	-1.5 ... 1.5
Polarities discrimination	dB	> 20
Phase noise (@10 KHz)	dBc	-80
Powering	Vdc	11 ... 19
Max. current	mA	150
Impedance	Ω	75
Connectors		"F" female
LNB-bracket diameter	mm	40
Operating temperature	$^{\circ}\text{C}$	-30 ... 60