



Industrial Ethernet Switch L2, Unmanaged 8 ports, 10/100/1000Mbps

Unmanaged industrial layer 2 switch*, with 8 Gigabit Ethernet ports up to 1Gbps. It is specifically designed for applications that require basic industrial Ethernet connections, both in small and medium-sized networks. In addition, its resistant IP30 aluminium housing makes it ideal for those industrial environments that present adverse conditions.

This high performance "Plug & Play" device features simple operation without the need of configuration. It includes a metal spring for its attachment to a DIN rail.

*Power supply unit not included.

Ref.	768121
Logical ref.	SWMU8x1000
EAN13	8424450279366

Packing

Box	1 pcs.
-----	--------

Physical data

Net weight	244.00 g
Gross weight	286.00 g
Width	109.00 mm
Height	40.00 mm
Depth	70.00 mm
Main product weight	244.00 g

Highlights

- Suitable for industrial environments: Thanks to its aluminium alloy case, it provides high dissipation against extreme temperature changes, as well as a high resistance against vibrations and impacts. In addition, its hermetic design protects it against dust and external particles
- Compatible with IEEE 802.3x Full Duplex (Flow Control) standard
- Overload current protection, as well as reverse polarity protection
- Plug & Play: Easy and fast installation that does not require configuration
- Wide operating temperature range: from -40°C to +75°C
- Standard DIN rail mounting, widely used in industrial environments
- MDI/MDIX auto-detection function
- DIP, QoS (Quality of Service) and BSP (Broadcast Storm Protection) functions included
- Device operation LED indicators
- Compact size

Discover

How to select a switch?

Based on the different applications and the needs of configuration, several options are available in the whole range of switches: unmanaged switches and managed switches.

An unmanaged switch is a *plug-and-play* device, which allows to immediately connect different devices by cable without the need of any prior adjustments to the configuration.

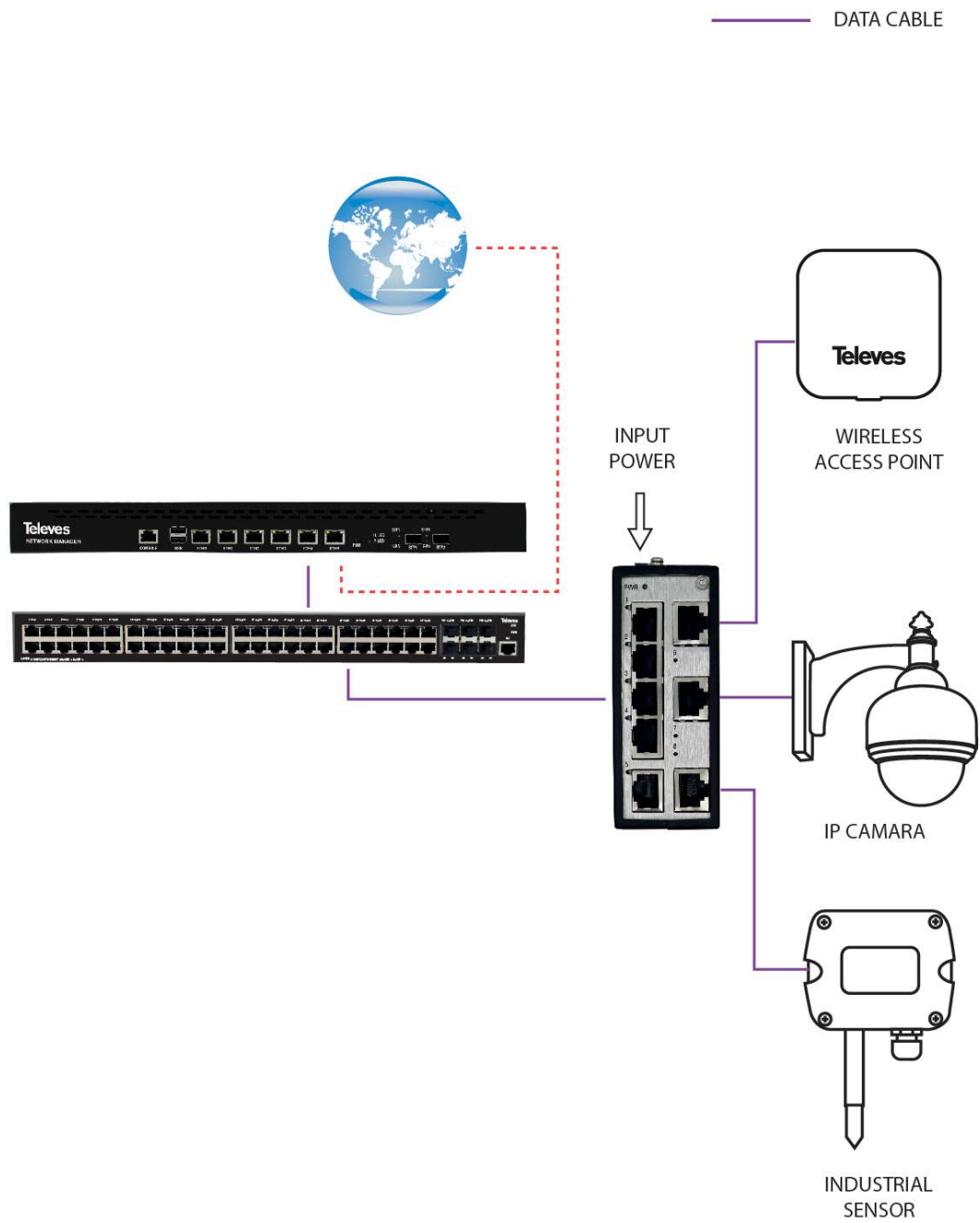
A managed switch, on the other hand, provides a number of advanced options and features for detailed network configuration at Layer 2 level. It also allows the customization of the configuration according to the needs of the network, the monitoring performance and controlling what is happening with the connected devices.

A comparison of the features each of them provides is described below:

Features	Unmanaged Switch	Managed Switch
----------	------------------	----------------

Plug & Play	Yes	No
Application	Small networks or providing workgroups to a large network	Professional uses such as in data centers or corporate networks. It allows professional uses such as in data centers or corporate networks. It allows the customization of the network at the Layer 2 level and the functions of each port individually
Performance	Fixed configuration, no interface configuration allowed	Modifiable configuration according to needs
VLAN Management	No	Yes
Control	Limited default settings	Access control, priority SNMP and network traffic control
Advanced functions	No	IPv4 Detection, DHCP, QoS, VLANs, IP routing, redundancy, CLI, ARP
Economic features	Small outlay	Higher price at higher benefits

Application example



Technical specifications : Ref. 768121

Switch type		Layer 2
Staking function		No
Number of Gigabit Ethernet ports (10/100/1000BaseT)		8
Switching capacity	Gb/s	16
MAC Addresses		4000
AC Power supply		24 Vac
DC Power supply		12 Vdc / 24 Vdc / 48 Vdc
Mains frequency		50 Hz / 60 Hz
Max. power	W	5
Operating temperature	°C	-40 ... 75
Storage temperature	°C	-40 ... 85
Colour		Black