



## QSD75 aluminium offset dishes

Quality signal reception for life

75 cm x 85 cm offset aluminium satellite dish for satellite signal reception. satellite dish in the QSD (Quality Satellite Dish) series, of an extremely high quality, achieved after undergoing the most stringent controls to ensure the best behaviour and robustness.

---

|                     |               |
|---------------------|---------------|
| <b>Ref.</b>         | 790204        |
| <b>Logical ref.</b> | S75QSD-W      |
| <b>EAN13</b>        | 8424450149706 |

---

### Other features

---

|                          |                |
|--------------------------|----------------|
| <b>Colour</b>            | White          |
| <b>Power Supply Unit</b> | Not included   |
| <b>Supply method</b>     | Single packing |

---

### Packaging info

---

|               |         |
|---------------|---------|
| <b>Box</b>    | 1 pcs.  |
| <b>Pallet</b> | 12 pcs. |

---

### Physical data

---

|                            |             |
|----------------------------|-------------|
| <b>Net weight</b>          | 11,000.00 g |
| <b>Gross weight</b>        | 11,000.00 g |
| <b>Width</b>               | 800.00 mm   |
| <b>Height</b>              | 920.00 mm   |
| <b>Depth</b>               | 820.00 mm   |
| <b>Main product weight</b> | 7,457.00 g  |

---

### Highlights

---

- Aluminium reflector with an outstanding Brinell hardness
- Zamak LNB support with height adjustment

- Pre-assembled antenna designed to reduce installation time: only four steps are required
- Very stable structure and long service life, thanks to the robust back support
- Reinforced galvanized arm
- Cable concealed inside the arm to improve overall appearance
- Corrosion-resistant screws
- TÜV Nord certified (German certification authority: the dish passed the most stringent safety and quality tests carried out by this renowned and prestigious body)

## Main features

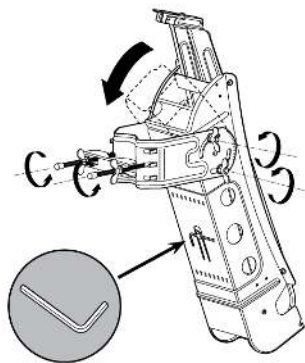
---

- The aluminium dish, the galvanized support and the stainless-steel screws ensure a long-lasting life
- The mounting support provides an outstanding stability to the whole structure
- Dimensions, design and characteristics reflect maximum precision
- The advanced design of both the support and the arm (folded and pre-assembled with the LNB bracket) allows for an easy 4-step mounting
- The concealed cable layout simplifies the mounting and improves the overall appearance
- Multi-satellite option (4 satellites), up to 20° (ref. 790901 and 790902)
- Includes Televes logo

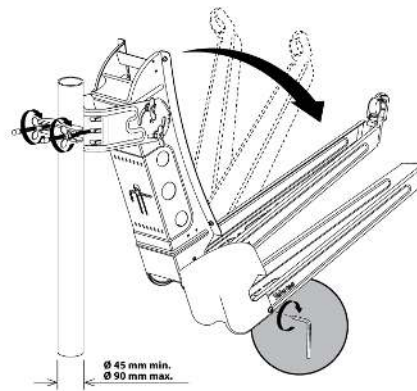
## Mounting details

---

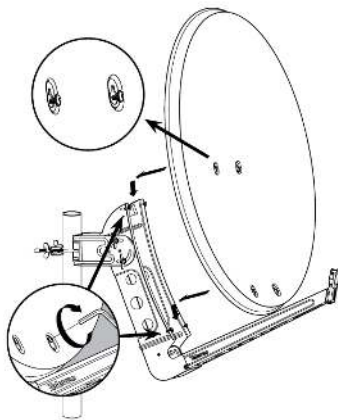
Thanks to the pre-assembled parts, equipment in the QSD series is very easily mounted, in as little as 5 steps:



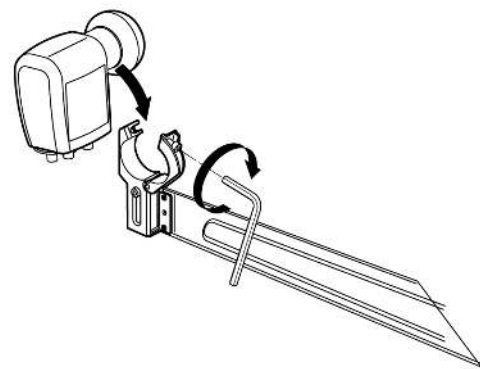
1



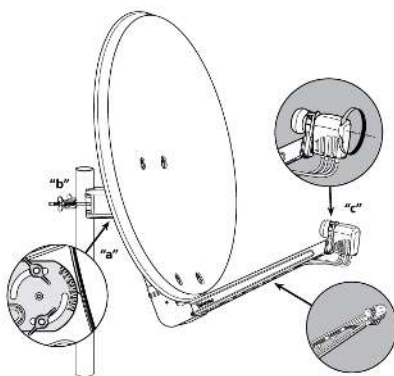
2



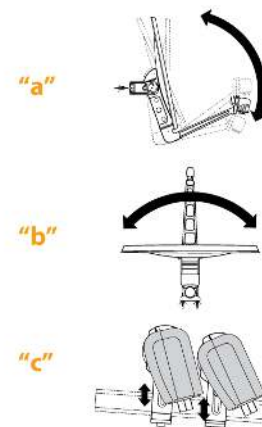
3



4



5



6

## Technical specifications : Ref. 790204

|                      |     |                |
|----------------------|-----|----------------|
| Frequency range      | MHz | 10.7 ... 12.75 |
| Gain (11.75GHz)      | dBi | 38.5           |
| Offset angle         | °   | 27.8           |
| Elevation angle      | °   | 10 ... 80      |
| Beamwidth            | °   | 2.3            |
| F/D ratio            |     | 0.6000         |
| Dish size: Height    | mm  | 850            |
| Dish size: Width     | mm  | 750            |
| Dish material        |     | Aluminium      |
| LNB-bracket diameter | mm  | 40             |
| Wind load (@130Km/h) | N   | 523.2          |
| Wind load (@150Km/h) | N   | 719.4          |
| Mast diameter        | mm  | 45 ... 90      |