



ISD 830 aluminium satellite dish 83x75cm

Designed to last

Offset aluminium satellite dish for the reception of satellite signals.

Provides an outstanding performance against corrosion, thanks to the aluminium reflector and the stainless steel screws.

The structure was designed to make the mounting easier.

Ref.	793102
Logical ref.	S830ISD-W
EAN13	8424450184806

Other features

Colour	White
Power Supply Unit	Not included
Supply method	Single packing

Packaging info

Box	1 pcs.
Pallet	25 pcs.

Physical data

Net weight	4,300.00 g
Gross weight	4,300.00 g
Width	747.00 mm
Height	833.00 mm
Depth	660.00 mm
Main product weight	2,131.00 g

Highlights

- Robust structure: flexible LNB support and clamp, made of a special polymer reinforced with glass fiber
- Aluminium arm that allows the concealing of the cable layout on the inside
- Robust mounting with Zamak clamp and support, as well as two U-bolts
- Optimized design to make mounting easier

Main features

- Stainless steel reflector and screws
- Adjustable elevation angle from 0° to 90°
- Light-weight
- An hex wrench is integrated in the LNB support itself for nut adjustment
- The LNB is fixed on its support even without any screws
- Includes Televes logo

Discover

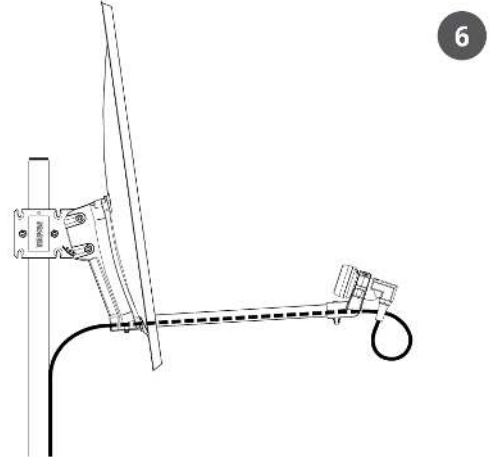
FIBERGLASS REINFORCED: HOW DOES GLASS FIBRE IMPROVE OUR PRODUCTS?

Plastics reinforced with glass fibre last longer, are anti-magnetic, fire resistant and provide excellent electric insulation. Here are the main reasons why glass fibre improves our antennas:

- Immunity to corrosion
- Lightweight, which makes mounting easier
- Flexibility, which improves material performance under adverse weather conditions

Mounting details

1. Screws are pre-assembled on the support and protected against corrosion.
The dish is conveniently anchored thanks to the shape of the holes.
2. The mounting of the arm is a quick procedure requiring a single screw.
3. The reflector's support is easily assembled in the elevation mechanism.
The elevation angle is adjustable from 0 to 90°.
4. Integrated hex wrench (die type). Only tearing off the plastic and tightening the nut is required.
5. The LNB fits in the support and is held in place during installation.
6. The coaxial cable layout is concealed inside the aluminium arm.



Technical specifications : Ref. 793102

Frequency range	GHz	10.7 ... 12.75
Gain (11.75GHz)	dBi	38
Offset angle	°	26.6
Elevation angle	°	0 ... 90
Dish size: Height	mm	833
Dish size: Width	mm	747
Dish material		Aluminium
LNB-bracket diameter	mm	40
Wind load (@130Km/h)	N	499.2
Wind load (@150Km/h)	N	686.4
Mast diameter	mm	20 ... 60