



## ISD 830 aluminium satellite dish 83x75cm

Designed to last

Offset aluminium satellite dish for the reception of satellite signals.

Provides an outstanding performance against corrosion, thanks to the aluminium reflector and the stainless steel screws.

The structure was designed to make the mounting easier.

---

<b>Ref.</b>	793111
<b>Logical ref.</b>	S830ISD-50
<b>EAN13</b>	8424450184844

---

### Other features

---

<b>Colour</b>	Orange
<b>Power Supply Unit</b>	Not included
<b>Supply method</b>	Multiple packing

---

### Packaging info

---

<b>Box</b>	5 pcs.
<b>Pallet</b>	50 pcs.

---

### Physical data

---

<b>Net weight</b>	2,131.00 g
<b>Gross weight</b>	2,131.00 g
<b>Width</b>	747.00 mm
<b>Height</b>	833.00 mm
<b>Depth</b>	660.00 mm
<b>Main product weight</b>	2,131.00 g

---

### Highlights

---

- Robust structure: flexible LNB support and clamp, made of a special polymer reinforced with glass fiber
- Aluminium arm that allows the concealing of the cable layout on the inside
- Robust mounting with Zamak clamp and support, as well as two U-bolts
- Optimized design to make mounting easier

## Main features

---

- Stainless steel reflector and screws
- Adjustable elevation angle from 0° to 90°
- Light-weight
- An hex wrench is integrated in the LNB support itself for nut adjustment
- The LNB is fixed on its support even without any screws
- Includes Televes logo

## Discover

---

### **FIBERGLASS REINFORCED: HOW DOES GLASS FIBRE IMPROVE OUR PRODUCTS?**

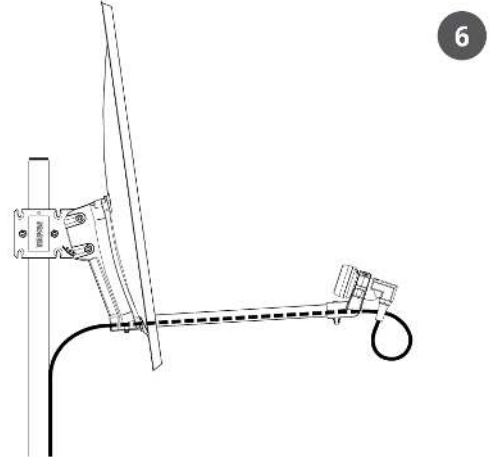
Plastics reinforced with glass fibre last longer, are anti-magnetic, fire resistant and provide excellent electric insulation. Here are the main reasons why glass fibre improves our antennas:

- Immunity to corrosion
- Lightweight, which makes mounting easier
- Flexibility, which improves material performance under adverse weather conditions

## Mounting details

---

1. Screws are pre-assembled on the support and protected against corrosion.  
The dish is conveniently anchored thanks to the shape of the holes.
2. The mounting of the arm is a quick procedure requiring a single screw.
3. The reflector's support is easily assembled in the elevation mechanism.  
The elevation angle is adjustable from 0 to 90°.
4. Integrated hex wrench (die type). Only tearing off the plastic and tightening the nut is required.
5. The LNB fits in the support and is held in place during installation.
6. The coaxial cable layout is concealed inside the aluminium arm.



## Technical specifications : Ref. 793111

Frequency range	GHz	10.7 ... 12.75
Gain (11.75GHz)	dBi	38
Offset angle	°	26.6
Elevation angle	°	0 ... 90
Dish size: Height	mm	833
Dish size: Width	mm	747
Dish material		Aluminium
LNB-bracket diameter	mm	40
Wind load (@130Km/h)	N	499.2
Wind load (@150Km/h)	N	686.4
Mast diameter	mm	20 ... 60