

CWDM optical Demultiplexer 1 input - 4 outputs: 1570/1550/1530/1510nm

Optical Demultiplexer component for multi-satellite applications.

This device receives the satellite and terrestrial signal from 4 optical transmitters previously multiplexed over a single fiber, demultiplexes them and sends them through 4 fibers at wavelengths 1570 / 1550 / 1530 / 1510 nm to the different receivers in the system using the CWDM technique.

Ref.	234758
Logical ref.	OCWDM4S
EAN13	8424450305980

Packaging info

Box	1 pcs.
------------	--------

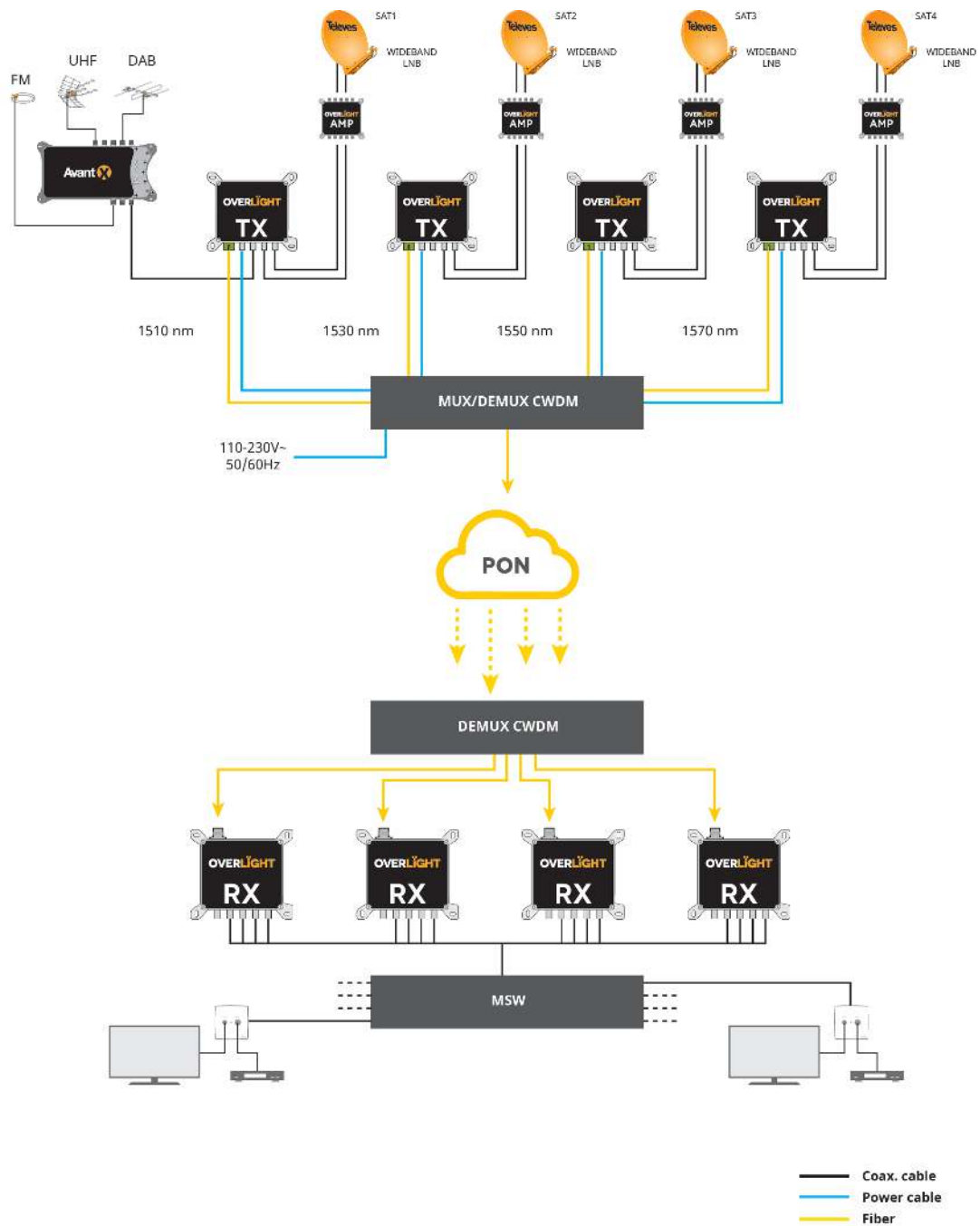
Physical data

Net weight	72.00 g
Gross weight	122.00 g
Width	80.00 mm
Height	100.00 mm
Depth	10.00 mm
Main product weight	72.00 g

Highlights

- **CWDM (Coarse Wavelength Division Multiplexing) technology**
- **Compatible with Overlight Series transmitters for 4-satellite and terrestrial TV transmission solutions for up to 64 users through a single optical fiber**
- Higher distribution distance
- **Smaller signal losses**
- Higher bandwidth
- Designed for indoor installation
- 100% European design, quality, and manufacturing
- SC/APC optical connectors

Application example



Technical specifications : Ref. 234758

Number of inputs				1	
Number of outputs				4	
Optical inputs		IN1	IN2	IN3	IN4
Wavelength	nm	1510	1530	1550	1570
Insertion losses	dB	< 1.2	< 0.9	< 0.7	< 0.5
Max. optical power	dBm	27	27	27	27
Channel passband	nm	1503.5 ... 1516.5	1523.5 ... 1536.5	1543.5 ... 1556.5	1563.5 ... 1576.5
Insertion losses	dB			1.5	
Channel spacing	nm			20	
Isolation between adjacent channels	dB			28	
Isolation between non-adjacent channels	dB			40	
Optical return losses	dB			45	
Directivity	dB			50	
Polarization loss (PDL)	dB			0.15	
PMD	dB			0.15	
Optical connectors				SC/APC	
Operating temperature	°C			-5 ... 45	
Protection index (IP)				20	