



"F" (DC) domestic amplifier 2 outputs: VHF/UHF - LTE700 Ready

Domestic amplifier with 2 outputs, to extend the terrestrial television domestic network. Equipped with LTE700/5G filtering and input power supply for pre-amplifier or BOSS system feeding.

Ref.	553220
EAN13	8424450317303

Packaging info

Box	1 pcs.
Bucket	126 pcs.

Physical data

Net weight	280.00 g
Gross weight	320.00 g
Width	146.00 mm
Height	54.00 mm
Depth	35.00 mm
Main product weight	217.00 g

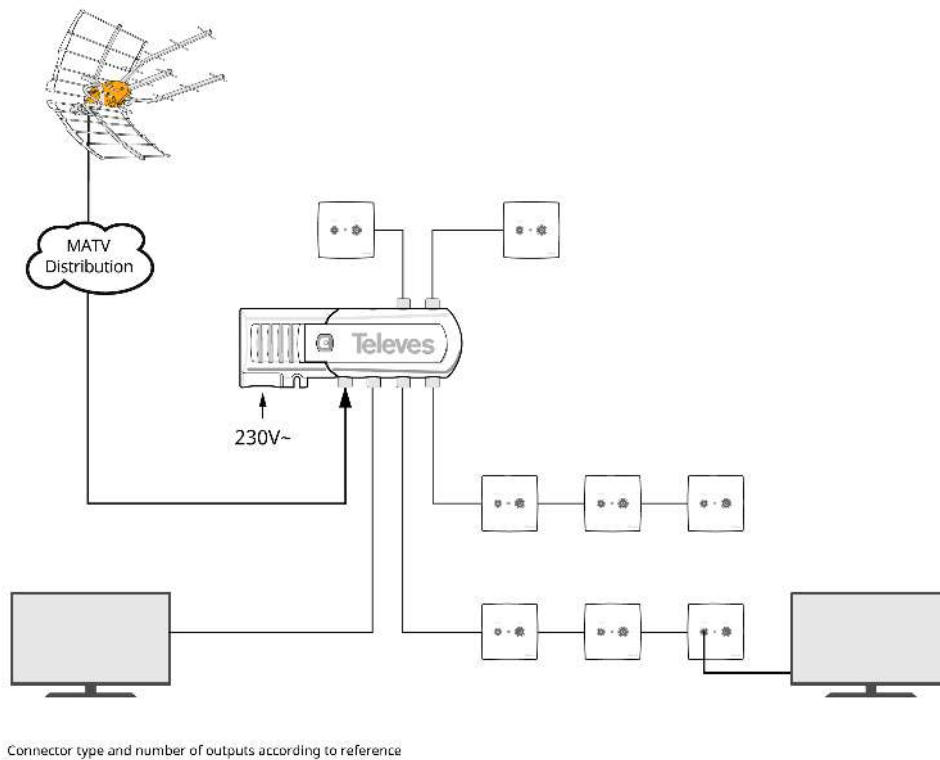
Highlights

- Low-impact visual design and limited size
- Integrated high-performance switched-mode power supply (40% less than a standard amplifier)
- Fully automated manufacturing subject to the most stringent quality controls

Main features

- Manual gain control, protected by a folding cover
- ON/OFF DC pass switch, for pre-amplifier or BOSS system powering
- Can be wall-mounted using screws
- "F" connectors

Application example



Technical specifications : Ref. 553220

Number of outputs		2
TV output		No
Frequency range	MHz	47 ... 694
Gain	dB	20
Gain adjustment range	dB	5 ... 20
Output level DIN45004B	dBµV	110
Output level EN50083 IMD3 2tones -60dB	dBµV	117
Noise figure	dB	6
Powering per inputs	Vdc	12
Max current input	mA	100
Input voltage	Vac	196 ... 253
Mains frequency		50 Hz / 60 Hz
Max. current	mA	34
Max. power consumption	W	3.6
Operating temperature	°C	-5 ... 45
Protection index (IP)		20